



# Espresso Single Group

USER MANUAL  
VERSION 7.1  
AUGUST 2022

## Table of Contents

<b>COPYRIGHT INFORMATION</b>	<b>3</b>	<b>ACCESS ADVANCED SETTINGS</b>	<b>25</b>
<b>TERMS &amp; CONDITIONS</b>	<b>3</b>	<b>CLEANING &amp; PREVENTATIVE MAINTENANCE</b>	<b>29</b>
<b>RESOURCES</b>	<b>4</b>	DAILY	30
<b>WARRANTY INFORMATION</b>	<b>5</b>	EVERY 1—2 MONTHS	33
<b>WEIGHT &amp; DIMENSIONS</b>	<b>5</b>	EVERY 6 MONTHS	34
<b>SYMBOLS</b>	<b>6</b>	EVERY 12—18 MONTHS	35
<b>SAFETY ADVISORY</b>	<b>7</b>	WOOD CARE	39
<b>WATER TREATMENT REQUIREMENTS</b>	<b>8</b>		
<b>RECOMMENDED TOOLS &amp; ACCESSORIES</b>	<b>9</b>		
<b>INSTALLING YOUR MACHINE</b>	<b>10</b>		
STEP 1: PREPARE SITE	11		
STEP 2: UNPACK EQUIPMENT	12		
STEP 3: CONNECT DRAIN HOSE	13		
STEP 4: CONNECT WATER LINE	13		
STEP 5: CONNECT MACHINE TO POWER	13		
STEP 6: FILL TANKS	14		
STEP 7: CALIBRATE BREW PUMP PRESSURE	14		
STEP 8: TURN ON HEATING ELEMENTS	15		
STEP 9: SET TIME & DATE	15		
<b>FACTORY SETTINGS</b>	<b>16</b>		
<b>INSTALLATION CHECK-UP</b>	<b>16</b>		
<b>ESPRESSO BASICS</b>	<b>17</b>		
<b>PREPARING ESPRESSO</b>	<b>20</b>		
STEAMING MILK	22		
CLEANING OF STEAM NOZZLES	22		
DISPENSING HOT WATER	22		
ADJUST FLOW RATE	22		
ADJUST BREW TANK TEMPERATURE	23		
ADJUST BREW PUMP PRESSURE	23		
ADJUST STEAM PRESSURE	23		
ADJUST POWER MANAGEMENT TANK PRIORITY	23		
ADJUST PRE-BREW TIMERS	24		
USING PRE-BREW TIMER	24		



# Copyright Information

Copyright © 2018, 2016 by Seattle Espresso Machine Corporation

All rights reserved. No part of this publication may be reproduced, distributed, or transmitted in any form or by any means without the prior written permission of the publisher, except in the case of noncommercial uses permitted by copyright law. For permission requests, contact the publisher.

**Seattle Espresso Machine Corporation**  
**707 Lind Ave SW.**  
**Renton, Washington, USA 98057**

**[SLAYERESPRESSO.COM](http://SLAYERESPRESSO.COM)**

# Terms & Conditions

Slayer makes no representations or warranties with respect to the contents of this publication. Information contained herein is subject to change without notice. Every precaution has been taken in the preparation of this manual; nevertheless, Slayer assumes no responsibility for errors or omissions or any damages resulting from the use of this information.

Read this manual completely before installing and operating your Slayer espresso machine. Incorrect installation and operation may result in damage to the equipment, personal injury, or even death. Disregarding the instructions contained herein indemnifies Slayer from all resulting damages and may void the equipment warranty.

For additional safety precautions, see the safety advisory on page 7.

## Resources

For quick installation, see the **QUICK START GUIDE** that was included with your machine upon delivery located in the clear packing envelope. For additional details or installation assistance, contact your authorized Slayer reseller or the appropriate party listed below.

### **SALES**

sales@slayerespresso.com  
+1 (206) 284-7171 EXT. 2

### **MARKETING**

marketing@slayerespresso.com  
+1 (206) 284-7171 EXT. 6

### **TRAINING & EDUCATION**

training@slayerespresso.com  
+1 (206) 284-7171 EXT. 5006

### **TECHNICAL SUPPORT**

support@slayerespresso.com  
+1 (206) 284-7171 EXT. 3

### **ORDERS SUPPORT & SPARE PARTS**

orders@slayerespresso.com  
+1 (206) 284-7171 EXT. 2

### **SHIPPING**

shipping@slayerespresso.com  
+1 (206) 284-7171 EXT. 4

An updated, electronic version of the manual can be accessed from the website: [slayerespresso.com/product/single-group](https://slayerespresso.com/product/single-group)



## Warranty Information

Slayer provides a 15-month (fifteen month) warranty on all equipment and parts, beginning at the date of shipment from the Seattle headquarters. All equipment and parts are warranted to be free from defect in material or workmanship. Unless otherwise specified in writing, this warranty covers materials only (e.g. equipment, parts) and excludes labor, shipping, and any other costs.

This warranty does not cover accidental damage to equipment, abuse of equipment, or improper use of equipment. "Improper use" includes, but is not limited to, the operation of a machine with inadequately treated water and/or the operation of a machine with inadequate water supply. Any and all damage resulting from inadequate water treatment is expressly excluded from the coverage of this warranty. Read "Water Treatment Requirements" on pg. 8 for information about water-related issues. Damage resulting from improper installation of equipment is expressly excluded from this warranty.

Warranty coverage does not include parts that are subject to normal wear and tear, as determined by Slayer. These include, but are not limited to, shower screens, portafilter gaskets, expansion or anti-suction valves, and Preventative Maintenance parts. Warranty coverage excludes glass or plastic parts.

This warranty will immediately expire if you or a third party performs faulty maintenance, excessive use, or neglect of necessary service. This will include any instances in which, following the occurrence of a defect, you fail to immediately take all suitable measures to limit damage to the equipment and/or fail to provide Slayer with an opportunity to remedy the defect.

Slayer's sole responsibility and liability under the warranty set forth herein is limited to, in Slayer's sole discretion, repair or replacement of defective parts. Unless otherwise specified in writing, this excludes labor, shipping, and any other costs.

To the fullest extent permitted by applicable Washington State (USA) laws, Slayer's warranty set forth herein is limited to the original purchaser of the equipment. Slayer does not, directly or indirectly, offer any warranty to any other person, unless otherwise agreed in writing. Except as expressly provided herein, all goods are provided to you as they are. Slayer disclaims all representations and warranties, whether expressed or implied, including warranties of title, non-infringement, merchantability, and fitness for a particular purpose.

Warranty claims must be authorized by a Slayer Support representative prior to repair or remedial action.

## Weight & Dimensions

### DEPTH:

Body: 18.1 inches / 46.0 centimeters  
Foot to foot: 17.7 inches / 45.0 centimeters

### WIDTH:

Body: 24.3 inches / 61.7 centimeters  
Foot to foot: 17.5 inches / 44.4 centimeters  
Rear panel (top) to disengaged steam actuator (top):  
11.2 inches / 28.5 centimeters

### HEIGHT:

Top of rear panel: 12.8 inches / 323.8 millimeters  
Top of brew actuator: 13.4 inches / 340.3 millimeters  
Top of engaged steam actuator: 14.5 inches / 368.3 millimeters  
Group height, drip tray to portafilter: 4.7 inches / 119.4 millimeters

### WEIGHT:

Dry: 100.0 pounds / 45.5 kilograms  
Wet: 110.0 pounds / 49.9 kilograms  
Shipping max: 160.0 pounds / 72.60 kilograms

## Symbols



GENERIC WARNING



WARNING: ELECTRICAL HAZARD



WARNING: TRAPPING HAZARD, TAKE CARE WITH HANDS



WARNING: HOT SURFACE



ENVIRONMENTAL PROTECTION



THESE PAGES OF THE MANUAL ARE FOR THE USE OF THE WORKER OPERATING THE MACHINE



THESE PAGES IN THE MANUAL ARE TO BE USED BY QUALIFIED, AUTHORIZED TECHNICAL STAFF



## Safety Advisory

This guide includes important instructions about safe espresso machine installation, operation, and maintenance. Read this manual completely before installing and operating your Slayer espresso machine. Incorrect installation and operation may result in damage to the equipment, personal injury, or even death. Disregarding the instructions contained herein indemnifies Slayer from all resulting damages and may void the machine's warranty.

Shipping is coordinated by the customer and performed by a third party. Slayer is not responsible for damage incurred during transport. Upon receiving your machine, carefully inspect all packaging, equipment, and accessories for visible damage. Photograph any visible damage to the crate or espresso machine and immediately contact your shipping company representative within seven days of receipt. Comply with shipping company regulations. Do not connect your machine to power, water, or drainage until all issues have been resolved or your Slayer representative or reseller instructs you to do so. Failure to resolve issues before using equipment may result in further damage or injury.

Installation should be performed by qualified personnel only and must comply with all regulations and requirements of the authorities in your area. If guidance is needed to safely install your machine, contact your Slayer representative or reseller.

It is critical that an appropriately-rated and grounded electrical plug is used to supply your machine with power. This is essential for the safe operation and use of the equipment. Contact your Slayer representative or reseller with questions about this requirement. If you are unsure about the safety of the electrical configuration, do not attempt to install your machine.

Your Slayer espresso machine should only be used for the functions it was designed to perform. Using your machine outside of its defined functionality – as it is described in the “Using Slayer” section on pg. 17 of this guide – may be a safety hazard, resulting in property damage, physical injury, or even death, and will immediately void the warranty.

Slayer espresso machines are electrical appliances that should be used in a safe manner appropriate to devices of their kind:

- **Do not** connect your Slayer espresso machine to electrical power through an extension cord. The machine must be directly connected to an appropriately - rated and grounded power source.
- **Do not** position the power cord in walkways or other high-traffic areas.
- Slayer espresso machines are designed only to be used indoors
- **Before performing service on your machine, disconnect the power source and turn off the water feed.**
- Prior to installation, make sure there is a circuit breaker installed

with a distance between the contacts that allows for complete disconnection when there is a category III overload and that provides protection against current leakage equal to 30 mA. The circuit breaker must be installed on the power-supply in compliance with installation rules. If the power-supply is not working properly, the appliance can cause transitory voltage drops. The electrical safety of this appliance is only ensured when it is correctly connected to an efficient earthing system in compliance with the electrical safety laws in force. This fundamental safety requirement must be verified. If in doubt, request that a qualified electrician inspect the system. The manufacturer cannot be held responsible for any damage caused by the lack of an earthing system on the electrical supply.

### PLEASE ALSO OBSERVE THE FOLLOWING RULES FOR INSTALLATION AND OPERATION:

- Room temperature must range between 10° and 32°C (50°F and 90°F)
- Do not install in rooms (kitchens) that are cleaned with jets of water or attempt to clean the machine with jets of water.
- When connected to water mains, only use the supplied parts for installation. If other parts are installed, they must be new (unused pipes and gaskets for the water connection) and they must be permitted for contact with water suitable for human consumption (according to local laws in force).
- The mains water pressure connection should be between a minimum of 300 kPa (3 bar) and a maximum of 500 kPa (5 bar).
- This appliance can be used by children aged from 8 years and above and persons with reduced physical, sensory or mental capabilities or lack of experience and knowledge if they are supervised or given instruction concerning the safe use of the appliance and understand the hazards involved.
- Children must not play with the appliance.
- Cleaning and user maintenance must not be made by children without supervision.
- Use by minors, with or without adult supervision, must not contravene local employment laws.
- Never leave the appliance unattended while it is in use.
- If the appliance is stored in rooms where the temperature can drop below the freezing point, empty the boiler and water circuit tubes.
- Do not expose the appliance to atmospheric agents (rain, sun, and cold).
- **Noise:** assessed acoustic pressure level 70 dB(A) (+/- 1dB).
- If the power-supply cord is damaged, it can only be replaced by qualified and authorized technicians.
- If the machine is used improperly or for purposes other than those described above, it can be a source of danger. The manufacturer will not be held responsible for damages caused by improper use of the appliance.



## Water Treatment Requirements

Improper water treatment is the most frequent cause of espresso machine damage. Water is complex and varies significantly between regions, so take great care to test the water quality at your location and adjust as necessary. Employ the help of a reliable company (Slayer recommends OptiPure and BWT) to evaluate your water and recommend and administer treatments.

When evaluating water quality, the two most important factors to consider are calcium carbonate and chloride:

**Calcium Carbonate:** a dissolved mineral that determines the “hardness” or “softness” of water. The desirable range of hardness is 4-5 grains. Over time, calcium carbonate accumulates as a hard substance, called “scale”, and will inhibit the flow of water. Machines subjected to “harder” water (greater than 5 grains) will accumulate scale faster and require maintenance earlier.

**Chloride:** chlorine combined with an electron from a negatively charged ion. There are many types of chlorides, including calcium chloride, magnesium chloride, sodium chloride, etc. Chlorides produce salts that impart a strong taste, which alters the flavor of the espresso. Chlorides also encourage pitting corrosion, which causes damage to the machine. Incoming water should have no more than 30ppm chloride content.

Your water filtration company will create a treatment plan based on your water needs. Choose a filtration company that has solutions for addressing issues related to both calcium carbonate and chloride.

Common treatment options include Carbon Filtration, Ion Exchange, and Reverse Osmosis:

**Carbon Filtration:** a process by which water passes through the granular activated carbon, which attracts and retains many chemicals in the water that have an unpleasant color, taste or odor. Carbon filtration is necessary for all machines. For water with 4-5 grains of hardness, carbon filtration is likely the only necessary water treatment.

**Ion Exchange:** a process by which water passes through an ion exchange system, where undesirable mineral components are retained and more desirable substances such as sodium are released. An ion exchange system should be used in combination with a carbon filtration system and is especially beneficial for water in the range of 6-9 grains of hardness. This system is relatively inexpensive and effective in removing inorganic substances. It does not, however, remove organic substances, such as bacteria.

**Reverse Osmosis with a Blend-Back Valve (or Remineralized RO):** a process by which water is forced through a semipermeable membrane with selective pore sizes at high pressure, then blended with the appropriate amount of desired minerals. Reverse osmosis may be a good solution for water in the range of 6-9 grains of hardness and is mandatory for water above 9 grains. When blending minerals with the filtered water, target a TDS (total dissolved solids) value of 75-125 ppm. Experiment with various TDS levels to determine what produces your preferred taste.

All Slayer espresso machines need to be connected to a carbon water filter to remove chlorine, sediments, odor, and undesirable tastes. This requirement is in addition to any other necessary water filtration systems.

Filtration requirements may vary seasonally. Water should be tested during each season to determine the best filtration plan. Once a filtration method has been selected, take note of the filter’s peak capabilities. Replacement of filtration is based on volume and varying levels of hardness. Contact the filtration provider or vendor to inquire about the life expectancy of the filters, then schedule replacement and installation accordingly.

Slayer’s recommended water recipe for ultimate taste and limited scale:

- pH:** 7-9
- Total Hardness:** 2-6 grains
- TDS:** 50-200 mg/L
- Alkalinity:** 40-100 mg/L
- Chloride:** <30 ppm
- Silica:** <10 ppm
- Chloramine:** <.1 ppm
- Chlorine:** <.1 ppm

- **IMPORTANT: Damage to or failure of your machine due to inadequately treated water is not covered under warranty. Every time a new water filter is installed, thoroughly rinse the filter before attaching it to your machine or pump. Run water from the supply line through the filter and down a drain for at least 2 minutes, fully washing the filter and the residue or loose fibers in the filter cartridge. Skipping this step will cause damage to your machine.**





## Recommended Tools & Accessories

### BEVERAGE PREPARATION

- Espresso grinder
- Scale (must measure in 0.1-gram increments)
- Tamper (must have a 58-58.4 millimeter base diameter)
- Shot glasses
- Steaming pitcher
- Soft towels

### EQUIPMENT CARE & MAINTENANCE

- Allen keys (Metric and SAE)
- Crescent wrench
- Flat-head screwdriver
- Group head brush
- Needle-nose pliers
- #2 Phillips-head screwdriver
- Pick or awl
- Pliers
- 9/16 inch socket wrench
- Adjustable wrench
- Slayer Espresso Machine Cleaner
- Steam wand cleaner
- Non-abrasive surface cleaner
- Slayer Lubricant
- Teflon tape



**Installation, dismantling, and adjustments must only be performed by qualified and authorized technicians. Carefully read the warnings and rules in this manual because they provide important information regarding safe installation, use and maintenance of the machine. Keep this booklet handy for easy reference.**

# Installing Your Machine

Only qualified service personnel should install Slayer espresso machines. For a list of certified Slayer technicians near you please contact our support department. Incorrect installation may result in injury and/or damage to the equipment. Please read the “Safety Advisory” on pg. 7 before beginning installation. The coffee machine should sit on a flat, stable surface at least 1 inch (20 mm) from walls and from the counter. Keep in mind that the highest surface on the machine (the cup-warmer tray) sits at a height of at least 47 inches (1.2 meters). Make sure there is a shelf nearby for accessories.

Install your Slayer espresso machine with the following ordered steps:

1. Prepare Site	11
2. Unpack Equipment	12
3. Connect Drain Hose	13
4. Connect Water Line	13
5. Connect Machine to Power	13
6. Fill Tanks	14
7. Calibrate Brew Pump Pressure	14
8. Turn on Heating Elements	15
9. Set Time & Date	15



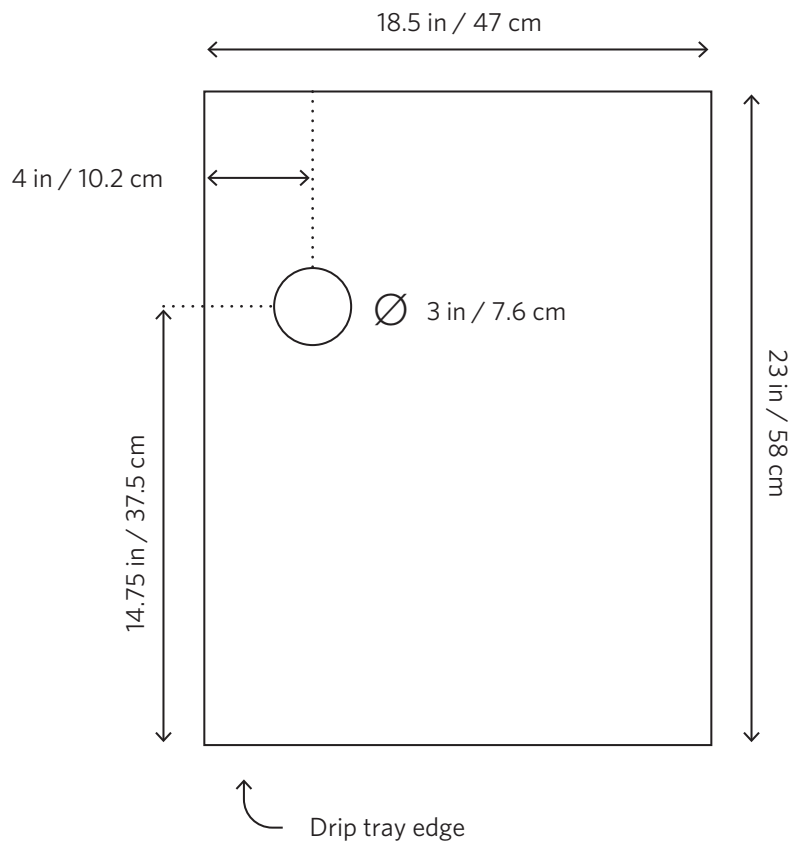
## STEP 1: PREPARE SITE

Your installation site will need direct access to power, water, and drainage. Building regulations vary by region, so confirm local requirements prior to connecting your machine.

Using quality, treated water is essential to achieving the best possible results when preparing coffee and may also extend the life of your machine. Read the Water Treatment Advisory on pages 6-7 for information about avoiding and addressing water-related issues.

Your Slayer espresso machine weighs approximately 110 lbs / 49.9 kg when filled with water and needs to be installed on a structure that is capable of supporting its weight.

Use the following diagram to locate and drill holes in the counter for the water and drain lines. Note that electrical plugs vary in size and a larger hole may be required to accommodate the main power cord.





## **STEP 2: UNPACK EQUIPMENT**

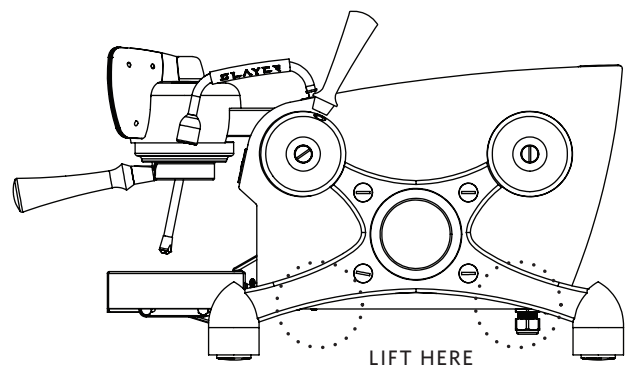
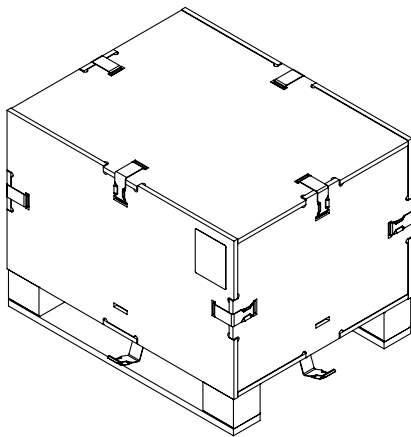
Your Slayer espresso machine will arrive in a lidded wooden crate, bolted to a pallet at the base. Unpack with the following steps.

### PARTS AND TOOLS:

- Large flat head screw driver or pry bar
- Two (2) Rubber feet (included)
- Steam handles (included)
- Drip tray mirror (included)

### PROCEDURE:

1. Use a flat head screw driver or pry bar to remove four (4) clips located along the lower edge of the crate.
2. Carefully lift the lid from the pallet.
3. Remove all banding and packing material from the machine.
4. The machine is attached to the pallet with two (2) bolts that are screwed into two (2) of its four (4) legs, one on each side of the machine. Use a socket wrench to loosen and remove the two (2) bolts from the underside of the pallet.
5. Attach the included rubber feet to the bottom of the two (2) legs that were bolted to the pallet.
6. Prepare surface by laying out one or more towels, which will rest under the machine's feet and allow for easy sliding into desired position.
7. Holding the machine by the lower part of the Xs, as shown, employ two (2) or more people to lift the machine up and onto the towels on the prepared surface.
8. Slide machine into desired position, then lift legs, one or two at a time, to remove towel(s).
9. Attach the steam handles by threading into place.
10. Pull both steam actuators forward, into the "on" positions. Leave steam actuators in the "on" positions until "Step 8: Turn on Heating Elements".





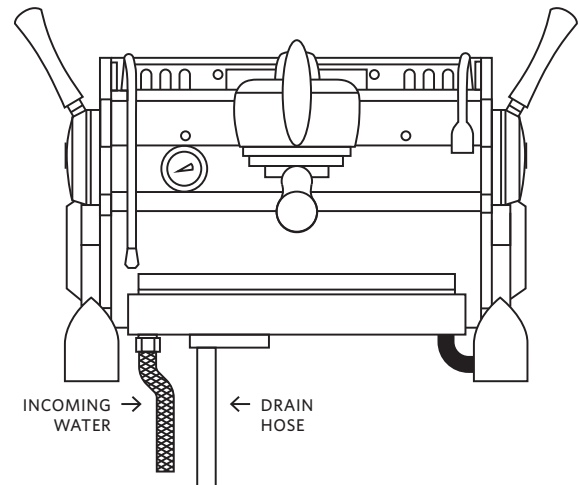
## STEP 3: CONNECT DRAIN HOSE

### PARTS AND TOOLS:

- Drain hose (included)
- Hose clamp (included)
- Flat-head screwdriver

### PROCEDURE:

1. Use the hose clamp to fasten the drain hose to the drain outlet, as shown.
  - **The drain hose has an inside diameter of 5/8" (1.6cm).**
2. Prevent clogging by ensuring that the drain line always goes downwards.
  - **Leave steam actuators in the "on" positions for "Step 8: Turn on Heating Elements".**



## STEP 4: CONNECT WATER LINE

- **IMPORTANT:** Before connecting a water treatment system to your espresso machine, rinse the system by running water through it for at least two (2) minutes. Failure to follow this step will result in equipment damage. Read the Water Treatment Requirements on page 8 for information about avoiding and addressing water-related issues.

### PARTS AND TOOLS:

- 60"x3/8" braided stainless steel hose
- Wrench

### PROCEDURE:

1. Connect water treatment system to main water line.
2. Use a braided stainless steel hose to connect the water treatment system outlet to the espresso machine water inlet (located at the bottom-rear of the machine); tighten with a wrench.
  - The end with the 90 degree fitting should connect to the espresso machine.
  - Leave steam actuators in the "on" positions for "Step 8: Turn on Heating Elements".

## STEP 5: CONNECT MACHINE TO POWER

Your espresso machine will ship with the power configuration requested at the time of purchase. Only an electrician or approved technician should wire the power cord into an appropriately-rated plug end.

1. Per previous steps, ensure that the steam actuator is pulled forward, into the "on" position, and the drain hose and water line are connected.
2. After attaching a plug end, insert the main power cord into an appropriately-rated and grounded receptacle.
  - Once connected to power, manually turn on the machine with the power switch located under the right rear of the machine. The display will read "INITIALIZING", and the tanks will begin to fill.
  - Leave steam actuator in the "on" position for "Step 8: Turn on Heating Elements".



## STEP 6: FILL TANKS

Per “Step 5: Connect Machine to power” tanks will automatically begin to fill once the machine is connected to power. While filling, the screen will display an upward-facing arrow (“↑”). Filling is complete when the pump motor ceases to work and a “click” is heard. Wait to turn on the heating elements until instructed to do so in “Step 8: Turn on Heating Elements”.

1. When Slayer has filled completely, move the brew actuator left, into the “on” position.
2. When water begins to run from the grouphead, return the brew actuator to the “off” position.
  - Leave steam actuator in the “on” position for “Step 8: Turn on Heating Elements

## STEP 7: VERIFY BREW PUMP PRESSURE

### PARTS AND TOOLS:

- Portafilter
- Blind portafilter insert

### PROCEDURE:

1. Replace portafilter basket with blind insert and lock in grouphead.
2. Move the brew actuator to the Full-Brew position.
3. During Full-Brew, watch the brew pressure gauge until the pressure gauge registers 10 bar.
  - A machine that registers 10 bar with a blind insert will register approximately 9 bar when loaded with coffee that has been ground to the appropriate degree of fineness.
4. Contact technical support if gauge reads anything other than 10 bar.

- **NOTE:** Due to the unique method by which Slayer espresso machines interpret brew pressure, the pressure gauge will read 0 bar unless a loaded portafilter, blind insert, or Scace device is locked in the grouphead.



## STEP 8: TURN ON HEATING ELEMENTS

1. Per previous steps, ensure that the steam actuator is pulled forward, into the “on” position.
2. Press the round touch sensor near the center of the screen to activate the menu.
3. Using the pad of your thumb, swipe from left to right until the “Advanced Setting” sub-menu comes into view; swipe from right to left for immediate access.
4. Press the round touch sensor to enter the “Advanced Setting” sub-menu.
5. Swipe from left to right until the “Heater Control” setting comes into view.
6. Press the round touch sensor to enter the “Heater Control” setting. “Up” and “down” arrows will appear on the right side of the screen.
7. Use the “up” and “down” arrows to toggle between “ON” and “OFF”; use the round touch sensor to toggle between “BREW” and “STEAM”.
  - Brewing and steaming functionalities may be used independently. For faster warm-up, you may turn on only the element which heats water for our desired function.
  - Slayer’s brew temperature is most stable when the steam tank is hot. For best performance, turn on both heating elements.
8. To confirm, press the round touch sensor. To exit menu navigation, move the brew actuator to the Pre-Brew or Full-Brew position, then back to “off”. The new temperature will be achieved and stable within 10 minutes.
  - On the screen, a flashing colon will indicate heating element activity, appearing near the brew temperature reading to indicate brew tank heating and appearing near the steam pressure reading to indicate steam tank heating.
9. The machine is heated when steam begins to flow from the steam wand; at this point, move the steam actuator into the “off” position.
10. Lift to remove cup tray and check the inside of the machine for leaks or collected water.

## STEP 9: SET TIME & DATE

During machine testing at the Slayer studio, machines are programmed to display the local time and date in Seattle. After setup, you may reprogram the time and date. Complete the steps under “Using Slayer > Access Advanced Settings > Set Time / Date” on page 26.



# Factory Settings

<b>BREW TANK TEMPERATURE:</b>	93°C (200°F)
<b>STEAM PRESSURE:</b>	1.5 BAR
<b>FLOW RATE:</b>	40 GRAMS PER 30 SECONDS
<b>PUMP PRESSURE:</b>	9 BAR WITH DOSED PORTAFILTER

# Installation Check-up



**Warning: after installation, check to see if the machine is working properly**

## WATER CONNECTIONS

- No leaks from the connections or tubes

## FUNCTIONING

- Boiler and operating pressures are normal.
- The pressure gauge is working properly.
- The expansion valves are working properly



**Warning: once the machine has been installed and is ready for use, before allowing the worker to start using the machine, wash the internal components according to the instructions below:**

## GROUPS

- Install the portafilters in the groups (without coffee).
- Let each group dispense water for about a minute.

## HOT WATER

- Continuously dispense hot water until at least 3 liters of water have been dispensed
- See the “Hot water dispensing” chapter in the User’s Manual.

## STEAM

- Dispense steam from the nozzles for about a minute.





# Espresso Basics

Coffee “beans” are the seeds from cherry-like fruits that grow on shrubs in equatorial regions. After picking and processing, the beans are roasted, ground, and dissolved in water to yield a coffee beverage.

Brewing espresso is a unique method of coffee extraction in which water is added to ground coffee under intense pressure. As a result, the beverage, when compared to filter coffee (e.g. pour-over, immersion), contains a higher concentration of dissolved coffee, feels heavier in the mouth, and asserts stronger flavor.

The espresso machine is the preferred equipment for preparing espresso. Therein, coffee is secured, water is heated, pressure is applied, filtration occurs, and the beverage is dispensed. The entire process takes less than one (1) minute.

Many variables affect espresso extraction and therefore require the attention of the barista. Consider the following generalizations and guidelines when preparing espresso.

## COFFEE ORIGIN

Coffee plants are cultivated around the world in equatorial regions that have varying climates and growing conditions. Every location — country, locale, farm, and lot — produces coffee with distinct characteristics that contribute to discernible differences in beverage flavor. Slayer Espresso is well-suited for preparing coffee from any single origin, as well as blends of coffees from varying origins.

## PLANT VARIETY

Like other fruits (e.g. apples, oranges), coffee beans may come from one of many varieties of the same plant. Common varieties include Typica, Bourbon, Heirloom, and Caturra, among others. Every variety produces coffee with distinct characteristics that contribute to discernible differences in beverage flavor.

## PROCESSING METHOD

There are many unique processes by which coffee seeds may be separated from the fruit containing them. Every process produces coffee with distinct characteristics that contribute to discernible differences in beverage flavor. Note these examples:

- **“Washed” process:** increased acidity, enhanced flavor clarity, clean body
- **“Natural” process:** fruit-forward flavor, full body

- **“Pulped natural”, “semi-washed”, and “honey” processes:** borrowed characteristics from washed and natural processes

## GREEN COFFEE FRESHNESS

After it has been picked and processed, green (i.e. un-roasted) coffee has a considerable shelf life. However, the potential quality of coffee beverages deteriorates with the age of the green coffee. For best results, buy roasted coffee from a trustworthy supplier that guarantees the freshness of its green coffee.

## ROAST PROFILE

Roasting makes the dense, green coffee bean porous and soluble and is the first step in preparing coffee for extraction. Coffee may be roasted to varying degrees by a variety of technologies, each producing coffee with distinct characteristics that contribute to discernible differences in beverage flavor.

Generally, the flavor of espresso prepared from light-roasted coffee will more closely resemble the characteristics of its origin, variety, and processing method (e.g. “bright”, “fruity”, etc.). Conversely, the flavor of espresso prepared from dark-roasted coffee will more closely resemble the characteristics of caramel, dark chocolate and nutty flavors. In some instances the dark roasting process will take a coffee too far into the roast yielding over developed flavors. (e.g. “smoky”).

## ROASTED COFFEE FRESHNESS

After roasting, coffee beans are increasingly vulnerable to deterioration. Preserve freshness by storing in a sealed container in a cool, dark area. Ideally, use a container that allows the outward flow of gas, which coffee releases as it ages, but prevents the inward flow of oxygen. Espresso is generally most flavorful when prepared with coffee that has “rested” for at least two (2) days after roasting but has not exceeded three (3) weeks. These guidelines are especially important for dark-roasted coffee, which deteriorates faster than light-roasted coffee.

## GROUND PARTICLE SIZE

Preparing espresso requires finely-ground coffee and a professional grinder. When setting up your grinder, target a setting that achieves the recommended beverage yield with the recommended dose weight in the recommended brew time. Continue reading for recommendations regarding these brewing parameters. Adjust grind as necessary, noting these rules:



## Finer grind setting (smaller particles):

- Longer extraction time
- Enhanced body
- Reduced clarity

⋮ **Recommended when espresso tastes sour, feels thin, extracts quickly, or has no crema.**

## Coarser grind setting (larger particles):

- Shorter extraction time
- Reduced body
- Enhanced clarity

⋮ **Recommended when espresso tastes bitter, feels muddy, or extracts slowly.**

## DOSE WEIGHT

Dose weight refers to the amount of ground coffee used for a serving of espresso. When considered alongside the beverage yield, dose weight is part of the brew ratio, which correlates with the perceived strength of the espresso and influences the extraction process. Slayer recommends using a scale to measure 18—21 grams of ground coffee per espresso serving. Begin with 18 grams, then adjust dose weight as necessary, noting these rules:

### Larger coffee dose (more weight):

- Increased flavor intensity
- Longer extraction time

⋮ **Recommended when espresso tastes sour, feels thin, extracts quickly, or has no crema.**

### Smaller coffee dose (less weight):

- Decreased flavor intensity
- Shorter extraction time

⋮ **Recommended when espresso tastes bitter, feels muddy, or extracts slowly.**

⋮ **For larger doses, please contact Slayer regarding details on larger baskets for you how like to brew.**

## BED DEPTH

Distribution and tamping ground coffee is essential to forming a puck through which water will evenly flow. Use logic when dosing and distributing to create an even pre- tamp bed. Instead of tamping to a

specific pressure (e.g., 30 pounds), Slayer recommends tamping to a specific depth in order to achieve the adequate headspace between the coffee puck and the shower screen. To ensure consistent results, target a tamp depth that levels the top of the tamper piston with the top of the portafilter basket (approximately 1 centimeter).

## WATER TEMPERATURE

At the factory, the brew tank temperature is set to 93°C (200°F). Coffee is best brewed with water heated to 92-95°C (195-205°F). If you do not know which temperature to set your machine at begin with the factory setting, then adjust the temperature as necessary, noting these rules:

### Higher temperature:

- Increased extraction rate
- Enhanced acidity

⋮ **Recommended when espresso tastes sour.**

### Lower temperature:

- Decreased extraction rate
- Reduced acidity

⋮ **Recommended when espresso tastes bitter.**

⋮ **To adjust the brew temperature, see instructions under Using Slayer > Adjust Brew Temperature on pg. 24.**

## WATER PRESSURE

At the factory, the brew pump pressure is set to 9 bar. Generally, espresso is best brewed with water pressurized to 6—10 bar. More dense coffees (such as those grown at a higher elevation, processed with the “washed” method, and/or roasted light) may endure higher pressure, while less dense coffees (such as those grown at a lower elevation, processed with the “natural” method, and/or roasted medium-to-dark) prefer lower pressure.

⋮ **To adjust the brew pressure, see instruction under “Using Slayer > Adjust Brew Pressure” on pg. 34**

## BEVERAGE YIELD

Beverage yield refers to the weight or volume of a serving of espresso. When considered alongside the dose weight, beverage yield is part of the recipe often referred to as the brew ratio, which correlates with the perceived strength of the espresso (sweetness, acidity, body) and influences the extraction process. No one knows your coffee better than your roaster and in some cases you are still the best maestro for



conducting great cup experiences. As a baseline Slayer recommends using a scale or graduated shot glasses to measure 25—40 grams or 1.0—1.5 fluid ounces of espresso per serving. Begin with 35 grams or 1.25 fluid ounces, then adjust beverage yield as necessary, noting these rules:

#### **Larger yield (more weight or volume):**

- Decreased flavor intensity
- Longer extraction time
- ⋮ **Recommended when espresso lacks clarity.**

#### **Smaller yield (less weight or volume):**

- Increased flavor intensity
- Longer extraction time
- ⋮ **Recommended when espresso lacks body.**

## **BREW TIME**

Brew time refers to the total duration of extraction. Begin with 25 seconds, then adjust brew time as necessary, noting these rules:

#### **Longer brew time:**

- Higher extraction yield
- ⋮ **Recommended when espresso tastes sour.**

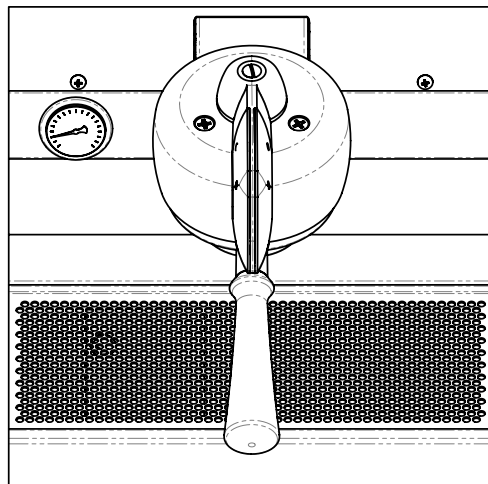
#### **Shorter brew time:**

- Lower extraction yield
- ⋮ **Recommended when espresso tastes bitter.**

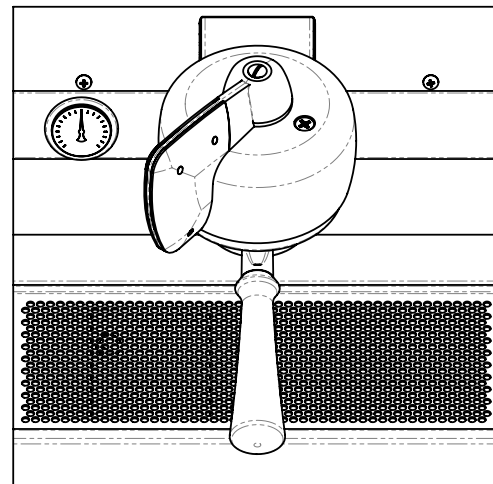


# Preparing Espresso

Slayer's brew actuator allows for three positions: Off, Pre-Brew, and Full-Brew. The grouphead is in the Off position when the brew actuator is moved all the way right. The Pre-Brew setting is activated when the actuator is moved to the middle of the group. Full-Brew is achieved when the actuator is moved all the way left.



PRE-BREW POSITION



FULL-BREW POSITION

The following guidelines represent a good starting point when first using Slayer. Coffee is a complex food item that differs from variety to variety, farm to farm, and even seed to seed. Changes in brewing variables — including grind, dose, temperature, flow rate, time, etc. — affect all coffees uniquely.

## STANDARD SHOT

The procedure for brewing a standard shot is similar to that for other espresso machines:

1. Remove the portafilter from the grouphead and wipe the basket with a clean, dry towel.
2. Set the grind to the same degree of coarseness as you would for another espresso machine.
3. Grind and dose 18–19 grams of coffee into the portafilter.
4. Tamp coffee to approximately 30 pounds of pressure, briefly flush group, then lock the portafilter into the grouphead.
5. Move the brew actuator directly to the Full-Brew position.
6. Allow the espresso to brew until the preferred extraction has been achieved (when blonding occurs, when the desired beverage yield has dispensed, or when the desired brew time has elapsed), then move the actuator to the Off position.
7. Remove the portafilter from the grouphead and knock out spent coffee. Wipe the portafilter with a clean towel to remove grounds and oil.
8. Briefly move the brew actuator to the Full-Brew position to purge grounds and oil from the dispersion screen. Move the grouphead to the Off position and return the portafilter.



## “SLAYER SHOT”

When the espresso is too acidic and lacks balance it’s time for a properly brewed “Slayer Shot”. Due to the extended contact time you will first need to adjust the grind finer to create better restriction in the Full Brew phase of extraction. Begin by adjusting the grind finer, on most grinders that is 3—4 notches, then:

1. Remove the portafilter from the grouphead and wipe the basket with a clean, dry towel.
2. Grind and dose 18—19 grams of coffee into the portafilter.
3. Tamp to depth, ensuring a level brewing coffee bed without excessive pressure, briefly flush group, then lock the portafilter into the grouphead.
4. Move the brew actuator into the center of the grouphead to activate pre-brew.
5. Pre-brew times will vary based on the dose, grind, flow rate, brew temperature, and characteristics of the coffee. The Pre-Brew position allows you to slowly saturate the coffee bed utilizing the tuned flow rate of the needle valve until fully wet before introducing pressure in the Full Brew position. You will know the puck is fully saturated when the bottom of the basket base displays a uniform presence of crema seeping out of every tiny hole. This special Pre-Brew will take anywhere between 15—20 seconds. Watch the bottom of the portafilter basket in the shot mirror to verify the coffee puck is fully saturated.
6. When the basket bottom shows evidence of full saturation move the actuator Left to Full-brew. Pump pressure has now been fully introduced to the brew bed.
7. Allow the espresso to brew until the preferred extraction has been achieved, then move the actuator to the Off position.
8. Remove the portafilter from the grouphead and knock out spent coffee. Wipe the portafilter with a clean towel to remove grounds and oil.
9. Briefly move the brew actuator to the Full-Brew position to purge grounds and oil from the dispersion screen. Move the grouphead to the Off position and return the portafilter.

## EXTENDED PRE-BREW: ENHANCING SWEETNESS

When espresso lacks sweetness, from the lack of balance, extending the Pre-Brew or Saturation phase can help to bring that flavor forward.

1. Follow “Slayer Shot” steps 1-5 above, but allow the espresso to continue extracting in the Pre-Brew position. Start with 2—3 grams, taste and increase that amount extracted in the Pre-Brew position to accentuate sweetness.
2. Move the brew actuator to the Full-Brew position, then resume “Slayer Shot” steps 7—9.

## REDUCED FLOW: MUTING ACIDITY

Increased body and muting overextraction flavors can be achieved by moving back to the Pre-Brew position at the end of the extraction process:

1. Follow “Slayer Shot” steps 1—6.
2. When the machine dispenses approximately two-thirds of the desired volume, return the brew actuator to the middle position, then resume “Slayer Shot” steps 7—9.

## “BUMPED” PRESSURE: INCREASING ACIDITY

If more acidity is desired, the Full-Brew stage can be briefly engaged before moving back to Pre-Brew:

1. Follow “Slayer Shot” steps 1—3.
2. Move the brew actuator to the Full-Brew position until the grouphead pressurizes (less than 1 second), then quickly return the actuator to the Pre-Brew position.
  - Engaging Full-Brew for longer than 1 second may cause the puck to choke, extending extraction and resulting in undesirable flavor.
3. Resume “Slayer Shot” steps 4—9, combining instructions for “Enhancing Sweetness” and “Reducing Acidity”, if desired.



## STEAMING MILK



**Scalding hazard! Use the appropriate insulating devices to move the water and steam nozzles.**

Slayer produces powerful steam by combining high pressure with restricted steam tip holes. Various steam tip options (numbered 0—5) are available to allow the barista to customize their steaming experience and milk texture. Unless another size is requested at the time of purchase, your Single Group will ship with steam tip #1.

**Steam milk with the following steps.**

1. Fill a cold pitcher with the desired volume of fresh milk.
2. Immediately before steaming milk, aim the steam wand toward the drip tray or into a towel and pull the steam actuator forward to release steam and purge condensation. Then, turn off the steam wand.
3. Submerge the steam tip in milk and turn on the steam wand.
4. Immediately move the pitcher down to expose the steam tip to the surface of the milk, incorporating fine air bubbles.
5. When the milk reaches body temperature, submerge the steam tip again, then tilt the pitcher to form a gentle whirlpool.
6. When the pitcher feels hot, turn off the steam wand.
  - The final milk temperature should be 65—68°C (150—155°F).
7. Wipe the steam wand with a damp cloth, removing all milk residue, then briefly turn on the steam wand to purge milk from the wand.



## CLEANING OF STEAM NOZZLES

At the conclusion of each steam dispensing phase:

- Using a clean sponge, wash with hot water removing any organic residue present. Rinse carefully.
- Clean the inside of the steam nozzle as follows: turn the nozzle towards the cup tray and carefully activate steam dispensing at least once.

## DISPENSING HOT WATER



**Scalding hazard! Use the appropriate insulating devices to move the water and steam nozzles.**

The hot water spout is activated with the right-side actuator. Gently pull the handle forward to dispense water; return to the upright position to turn off water. Hot water is drawn directly from the steam tank and its temperature cannot be manipulated independently. Frequent or heavy use of the hot water spout will result in reduced steam tank pressure and temperature, causing decreased steaming ability.

## ADJUST FLOW RATE

Flow rate is controlled by a precision needle valve, which is located inside of the machine on top of the brew tank.

Adjust the flow rate with the following steps:

### PARTS & TOOLS

- Empty 8 ounce (240 milliliter) vessel
- Gram scale

### PROCEDURE

1. Remove portafilter from grouphead and set aside.
2. Briefly move the brew actuator to the Pre-Brew position, then to the Full-Brew position for a few seconds before returning the grouphead to the Off position.
3. Place a container on a scale underneath the grouphead and tare the scale to zero.
4. Move the brew actuator to the Pre-Brew position; a timer will automatically begin in the top-right corner of the digital display.
5. When the timer reaches 30 seconds, remove the container and scale, then move the brew actuator to the Off position.
6. Weigh the container again without taring the scale to determine how much water was dispensed in the allotted time.
7. Use this weight to determine flow rate, which is expressed in these terms: x grams of water per 30 seconds.
  - Slayer recommends starting with a flow rate of approximately 40 grams of water per 30 seconds. The actual flow rate may be within a range of +/-2 grams of the desired flow rate.
  - To decrease the flow rate, turn the blue control knob on the needle valve clockwise.
  - To increase the flow rate, turn the blue control knob on the needle valve counter-clockwise.

- **IMPORTANT:** Over-tightening the valve may break the needle inside. Only adjust the flow rate incrementally to avoid damage.



## ADJUST BREW TANK TEMPERATURE

At the Slayer studio, the brew tank temperature is set at 93°C (200°F).

Adjust the brew tank temperature with the following steps:

1. Using the pad of your thumb, press the round touch sensor near the center of the screen to activate the menu.
2. Swipe from left to right until the “Brew Temperature” setting comes into view.
3. Press the round touch sensor to enter the “Brew Temperature” setting. “Up” and “down” arrows will appear on the right side of the screen.
4. Use the arrows to adjust the brew temperature in tenth degree (0.1°) increments.
5. To confirm your new setting and continue menu navigation, press the round touch sensor. To confirm your new setting and exit menu navigation, move the brew actuator to the Pre-Brew or Full-Brew position. The new temperature will be achieved and stable within 10 minutes.

- To increase the pressure, increase the value.
- To decrease the pressure, decrease the value.
- Only make incremental adjustments to the pressure.

5. To confirm your new setting and continue menu navigation, press the round touch sensor. To confirm your new setting and exit menu navigation, move the brew actuator to the Pre-Brew or Full-Brew position.

## ADJUST POWER MANAGEMENT TANK PRIORITY

Slayer’s power management program heats only one tank at a time. Determining the program’s bias will depend on the application and location of your machine. In most situations, “Brew” priority will be sufficient; in commercial environments, “Steam” priority may be preferred.

1. Using the pad of your thumb, press the round touch sensor near the center of the screen to activate the menu.
2. Swipe from left to right until the “Power Management” setting comes into view.
3. Press the round touch sensor to enter the “Power Management” setting. “Up” and “down” arrows will appear on the right side of the screen.
4. Use the arrows to specify “Brew” or “Steam” priority.
5. To confirm your new setting and continue menu navigation, press the round touch sensor. To confirm your new setting and exit menu navigation, move the brew actuator to the Pre-Brew or Full-Brew position.

## ADJUST BREW PUMP PRESSURE

At the Slayer studio, the brew pump pressure is set at 9 bar. Actual brew pressure, as indicated by the pressure gauge on the face of your machine, will be influenced by incoming water pressure (line pressure) at your location.

Under normal circumstances, this setting should not be adjusted. Contact technical support before adjusting the factory setting.

## ADJUST STEAM PRESSURE

At the Slayer studio, the steam tank pressure is set at 1.5 bar. If the steam is more or less powerful than you prefer, first try using a different steam tip. We offer a wide range of steam tip sizes, refer to spare parts diagram for more information. If changing steam pressure is still desired, adjust with the following steps:

1. Using the pad of your thumb, press the round touch sensor near the center of the screen to activate the menu.
2. Swipe from left to right until the “Steam Pressure” setting comes into view.
3. Press the round touch sensor to enter the “Steam Pressure” setting. “Up” and “down” arrows will appear on the right side of the screen.
4. Use the arrows to adjust the steam pressure in tenth bar (0.1 bar) increments.



## ADJUST PRE-BREW TIMERS

The pre-brew timer allows the barista to minimize brew actuator movement while still making use of the pre-brew function. To prepare espresso with the pre-brew timer, see instructions under “Using Slayer > Using Pre-Brew Timer” below.

Adjust the pre-brew timer with the following steps:

1. Using the pad of your thumb, press the round touch sensor near the center of the screen to activate the menu.
2. Swipe from left to right until the Pre-Brew setting comes into view.
3. Press the round touch sensor to enter the Pre-Brew setting. “up” and “down” arrows will appear on the right side of the screen.
4. Use the arrows to adjust the pre-brew timer in one-second (1-second) increments, up to 30 seconds.
  - “0” value disables pre-brew timer function
5. To confirm your new setting and continue menu navigation, press the round touch sensor. Moving the brew actuator will NOT confirm your new setting or exit menu navigation.

## USING PRE-BREW TIMER

The pre-brew timer allows the barista to minimize brew actuator movement while still making use of the pre-brew function. It can be activated, deactivated, and programmed with the corresponding buttons and knobs; see instructions under “Using Slayer > Adjust Pre-Brew Timer” on page 23.

To prepare espresso with the pre-brew timer functionality,

1. Activate and adjust the pre-brew timer by following the steps above.
2. Grind, dose, and tamp coffee as usual, then lock the portafilter in the grouphead.
3. Move the brew actuator to the Full-Brew position to begin extraction. Slayer will automatically initiate the pre-brew and full-brew stages.
4. Allow the espresso to brew until the preferred extraction has been achieved (when blonding occurs, when the desired beverage yield has dispensed, or when the desired brew time has elapsed), then move the actuator to the Off position.
5. Remove the portafilter from the grouphead and knock out spent coffee. Wipe the portafilter with a clean towel to remove grounds and oil.
6. Briefly move the brew actuator to the Full-Brew position to purge grounds and oil from the dispersion screen. Move the grouphead to the Off position and return the portafilter.





## ACCESS ADVANCED SETTINGS

The “Advanced Setting” sub-menu has twelve (12) options. Access the sub-menu with the following steps, then follow the individual instructions below:

1. Using the pad of your thumb, press the round touch sensor near the center of the screen to activate the menu.
2. Swipe from the right to left until the “Advanced Setting” sub-menu comes into view.
3. Press the round touch sensor to enter the “Advanced Setting” sub-menu.

### HEATER CONTROL ON/OFF

The steam and brew tank heating elements may be activated or deactivated independently. After completing the steps above to access the “Advanced Setting” sub-menu, power on or off with the following steps:

1. Swipe from left to right until the “Heater Control ON/OFF” setting comes into view.
2. Press the round touch sensor to enter the “Heater Control ON/OFF” setting. “Up” and “down” arrows will appear on the right side of the screen.
3. The display will read, “BREW”; use the arrows to toggle between brew tank heater “on” and “off,” then press the round touch sensor to confirm setting.
4. The display will read, “STEAM”; use the arrows to toggle between steam tank heater “on” and “off,” then press the round touch sensor to confirm setting.
5. The “Heater Control ON/OFF” setting will reappear. To continue “Advanced Setting” sub-menu navigation, swipe from left to right. To exit menu navigation, move the brew actuator to the Pre-Brew or Full-Brew position.

### TEMPERATURE

Machine temperatures may be displayed in degrees Celsius or Fahrenheit. After completing the steps above to access the “Advanced Setting” sub-menu, specify preference with the following steps:

1. Swipe from left to right until the “Temperature” setting comes into view.
2. Press the round touch sensor to enter the “Temperature” setting. “Up” and “down” arrows will appear on the right side of the screen.
3. The display will read, “C” (Celsius) or “F” (Fahrenheit), which indicates the current setting. Use the arrows to toggle between “C” and “F”, then press the round touch sensor to confirm setting.
4. The “Temperature” setting will reappear. To continue “Advanced

Setting” sub-menu navigation, swipe from left to right. To exit menu navigation, move the brew actuator to the Pre-Brew or Full-Brew position.

### BREW TEMPERATURE OFFSET

An offset value is used to compensate for physical variations between temperature probes and to calibrate for accurate water heating. After completing the steps above to access the “Advanced Setting” sub-menu, adjust the brew temperature offset value with the following steps:

1. Swipe from left to right until the “Brew Temp Offset” setting comes into view.
2. Press the round touch sensor to enter the “Brew Temp Offset” setting. “Up” and “down” arrows will appear on the right side of the screen, as well as the real-time temperature reading (lower-left) and the current offset value (lower-right).
  - **The set brew tank temperature may not be changed at this time.**
  - **To adjust, see instructions under “Using Slayer > Adjust Brew Tank Temperature” on page 22.**
3. Use the arrows to adjust the brew temperature offset value in one-unit increments, then press the round touch sensor to confirm setting.
  - Each unit represents a 0.01°C change from the precalibrated settings of your machine. For example, an offset value of “28” indicates a variation of 0.28°C (28 x 0.01 = 0.28) from pre-calibration.
  - The brew temperature offset may be a positive or negative value.
4. The “Brew Temp Offset” setting will reappear. To continue “Advanced Setting” sub-menu navigation, swipe from left to right. To exit menu navigation, move the brew actuator to the Pre-Brew or Full-Brew position.

• **IMPORTANT:** The brew temperature offset is set at the studio to ensure optimal performance. Do not manipulate without first reading this manual in its entirety, then consulting your Slayer representative, reseller, or qualified service personnel. Any changes to this value, whether intentional or accidental, can be corrected by restoring the factory tuned settings per the “Restore / Save Settings” instructions under “Using Slayer > Advanced Settings” on page 26.



## RESTORE / SAVE SETTINGS

User preferences and factory settings can be saved and recalled by four (4) programs in this sub-menu. After completing the steps above to access the “Advanced Setting” sub-menu, view the “Restore / Save Settings” sub-menu and begin programs with the following the steps:

1. Swipe from left to right until the “Restore / Save Settings” sub-menu comes into view.
2. Press the round touch sensor to enter the “Restore / Save Settings” sub-menu. “Up” and “down” arrows will appear on the right side of the screen.
3. Use the arrows to scroll through programs.
  - The “Save User Settings” program saves the current machine settings as user preferences.
    - a. Press the round touch sensor to enter program.
    - b. Use the arrows to toggle between “NO” and “YES”, then use the round touch sensor to confirm desired action.
      - “NO” will be confirmed by returning to the “Restore / Save Settings” sub-menu.
      - “YES” will be confirmed by displaying “[DONE]”, then returning to the “Restore / Save Settings” sub-menu.
    - The “Restore User Settings” program overwrites the current machine settings and restores saved user preferences.
      - a. Press the round touch sensor to enter program.
      - b. Use the arrows to toggle between “NO” and “YES”, then use the round touch sensor to confirm desired action.
        - “NO” will be confirmed by returning to the “Restore / Save Settings” sub-menu.
        - “YES” will be confirmed by displaying “[DONE]”, then returning to the “Restore / Save Settings” sub-menu.
      - The “Restore Factory Tuned Settings” program overwrites all user preferences and restores Slayer recommended settings; tunings specific to your machine will remain intact.
        - a. Press the round touch sensor to enter program.
        - b. Use the arrows to toggle between “NO” and “YES”, then use the round touch sensor to confirm desired action.
          - “NO” will be confirmed by returning to the “Restore / Save Settings” sub-menu.
          - “YES” will be confirmed by displaying “[DONE]”, then returning to the “Restore / Save Settings” sub-menu.
    - The “Restore Factory Default Settings” program overwrites all user

and Slayer preferences and restores hard-coded settings; tunings specific to your machine will be erased.

- c. Press the round touch sensor to enter program.
- d. Use the arrows to toggle between “NO” and “YES”, then use the round touch sensor to confirm desired action.
  - “NO” will be confirmed by returning to the “Restore / Save Settings” sub-menu.
  - “YES” will be confirmed by displaying “[DONE]”, then returning to the “Restore / Save Settings” sub-menu.
4. The “Restore / Save Settings” sub-menu will reappear. To continue “Advanced Setting” sub-menu navigation, swipe from left to right. To exit menu navigation, move the brew actuator to the Pre-Brew or Full-Brew position.

## SET TIME / DATE

Slayer’s clock and calendar are displayed when the machine idles and referenced for the “Power Saver” program. After completing the steps above to access the “Advanced Setting” sub-menu, view the “Set Time / Date” sub-menu and adjust the time and date with the following steps:

1. Swipe from left to right until the “Set Time / Date” sub-menu comes into view.
2. Press the round touch sensor to enter the “Set Time / Date” sub-menu. The screen will first display three (3) settings: “12/24” (top-left), “HOUR” (top-center), and “MIN” (top-right). Your current selection is indicated by a pair of chevrons (“< >”); unselected settings are indicated by pairs of square brackets (“[ ]”).
  - The “12/24” setting determines the status and format of the clock and has three (3) options: “OFF” (no time/date display), “12H” (12-hour format), and “24H” (24-hour format). Adjust with the following steps:
    - a. Press the touch sensor beneath “12/24”. “Up” and “down” arrows will appear on the right side of the screen.
    - b. Use the arrows to cycle options, pause on desired option, then proceed to instructions for next setting: “HOUR”.
      - If “OFF” is your desired option, press the round touch sensor to confirm and do not proceed to instructions for next settings. The “Set Time / Date” sub-menu will reappear. To continue “Advanced Setting” sub-menu navigation, swipe from left to right. To exit menu navigation, move the brew actuator to the Pre-Brew or Full-Brew position.
  - The “HOUR” setting determines the clock’s hour in the format selected above (12 or 24 hour). Adjust with the following steps:



- a. Press the touch sensor beneath "HOUR". "Up" and "down" arrows will appear on the right side of the screen.
- b. Use the arrows to adjust value, pause on desired value, then proceed to instructions for next setting: "MIN".
  - The "MIN" setting determines the clock's minute. Adjust with the following steps:
    - a. Press the touch sensor beneath "MIN". "Up" and "down" arrows will appear on the right side of the screen.
    - b. Use the arrows to adjust value, pause on desired value, then press the round touch sensor to confirm.
3. The screen will display three (3) additional settings: "MONTH" (top-left), "DAY" (top-center), and "YEAR" (top-right). Your current selection is indicated by a pair of chevrons ("< >"); unselected settings are indicated by pairs of square brackets ("[ ]").
  - The "MONTH" setting determines the calendar's month. Adjust with the following steps:
    - a. Press the touch sensor beneath "MONTH". "Up" and "down" arrows will appear on the right side of the screen.
    - b. Use the arrows to cycle options, pause on desired option, then proceed to instructions for next setting: "DAY".
      - The "DAY" setting determines the calendar's day. Adjust with the following steps:
        - a. Press the touch sensor beneath "DAY". "Up" and "down" arrows will appear on the right side of the screen.
        - b. Use the arrows to cycle options, pause on desired option, then proceed to instructions for next setting: "YEAR".
          - The "YEAR" setting determines the calendar's day. Adjust with the following steps:
            - a. Press the touch sensor beneath "YEAR". "Up" and "down" arrows will appear on the right side of the screen.
            - b. Use the arrows to cycle options, pause on desired option, then press the round touch sensor to confirm.
4. The "Set Time / Date" sub-menu will reappear. To continue "Advanced Setting" sub-menu navigation, swipe from left to right. To exit menu navigation, move the brew actuator to the Pre-Brew or Full-Brew position.

## SET POWER SAVER ON / OFF TIMES

Slayer's "Power Saver" program prompts the machine to toggle between "ready" (heated for use) and "standby" (reduced power) per the user-input schedule(s). Four (4) separate schedules are available for

programming: two (2) per day for weekdays (Monday through Friday) and two (2) per day for weekends (Saturday and Sunday). This allows you to program Slayer to be ready for use in the morning, after work, and so on. After completing the steps above to access the "Advanced Setting" sub-menu, view the "Power Saver On-Off Times" sub-menu and adjust the schedule with the following steps:

1. Swipe from left to right until the "Set Power Saver On-Off Times" sub-menu comes into view.
2. Press the round touch sensor to enter the "Set Power Saver On-Off Times" sub-menu. "Up" and "down" arrows will appear on the right side of the screen. The screen will first display the schedule for "MF1", one of two weekday power-saver programs. Inside the "MF1" schedule, the screen will display two (2) settings: "START" (time of day) and "LENGTH" (time duration). Your current selection is indicated by a pair of chevrons ("< >"); unselected settings are indicated by pairs of square brackets ("[ ]"). Adjust with the following steps.
  - a. Use the arrows to adjust the "START" value, pause on desired value, then proceed to instructions for next setting: "LENGTH".
    - The "START" value indicates the time of day at which the machine will be ready for use. Because the machine requires time to heat, the actual time at which it exits standby and readies itself will be earlier than this programmed value. Slayer will be ready to use at or before the specified time.
  - b. Press the round touch sensor to select the "LENGTH" setting. An "END" value will appear (top-right).
    - The "LENGTH" value indicates the time duration for which the machine will remain ready for use and is adjustable in 15-minute increments.
    - The "END" value indicates the time of day at which the machine will enter the power-saving standby mode.
  - c. Use the arrows to adjust the "LENGTH" value, pause on desired value, then press the round touch sensor to confirm "MF1" schedule and proceed. The screen will then display the schedule for "MF2", the second weekday power-saver program.
    - If an "MF1" schedule is not inputted, the screen will not display the option to create an "MF2" schedule.
3. Adjust the "MF2" schedule with the same procedure used for adjusting "MF1", then press the round touch sensor to confirm. The screen will then display the schedule for "SS", the first weekend power-saver program.
4. Adjust the "SS3" schedule with the same procedure used for adjusting "MF1" and "MF2", then press the round touch sensor to confirm. The screen will then display the schedule for "SS4", the second weekend power-saver program.



- If an “SS3” schedule is not inputted, the screen will not display the option to create an “SS4” schedule.
5. Adjust the “SS4” schedule with the same procedure used for adjusting “MF1”, “MF2”, and “SS3”, then press the round touch sensor to confirm.
  6. The “Set Power Saver On-Off Times” sub-menu will reappear. To continue “Advanced Setting” sub-menu navigation, swipe from left to right. To exit menu navigation, move the brew actuator to the Pre-Brew or Full-Brew position.
  7. Slayer will now toggle between “ready” (heated for use) and “standby” (reduced power) per the user-input schedule(s).
  8. At any time, you may exit the power-saving standby mode and initiate normal heating by moving the brew actuator to the Pre-Brew or Full-Brew position. Slayer will temporarily exit “standby” and will be ready for use in 10-15 minutes.
    - If the programmed schedule still applies, Slayer will reenter “standby” after one (1) hour of inactivity.
    - This will disrupt the programmed schedule on this day only and will not affect future programmed schedules.

## SLAYER INFO

Your Slayer espresso machine’s serial number and software version may be viewed on the “Slayer Info” page. After completing the steps above to access the “Advanced Setting” sub-menu, view the “Slayer Info” page with the following steps:

1. Swipe from left to right until the “Slayer Info” page comes into view.
2. Press the round touch sensor to enter the “Slayer Info” page. The screen will display your machine’s serial number and software version.
3. To exit the “Slayer Info” page and continue to “Advanced Setting” sub-menu navigation, swipe from left to right. To exit menu navigation, move the brew actuator to the Pre-Brew or Full-Brew position.

## ENTER TO RESET

The reset program reboots the machine and reinitializes the software. This has the same effect as unplugging, then returning the power source and is useful when the plug is not easily accessible. After completing the steps above to access the “Advanced Setting” sub-menu, begin the reset program with the following steps:

1. Swipe from left to right until the “Enter to reset” program comes into view.
2. Press the round touch sensor to begin the reset program. A timer will appear, count down from “30”, and the machine will power down.
  - To cancel the reset program before the timer completes, press the round touch sensor.
3. Within several seconds, Slayer will reboot and normal operation may be resumed.



## Cleaning & Preventative Maintenance

Keeping your machine clean and properly maintained is essential to ensuring espresso quality and equipment longevity. Espresso machines require both daily cleaning and ongoing periodic maintenance. The frequency with which these tasks should be completed will depend on the location and use of your espresso machine. The following recommendations assume heavy use in a commercial setting. Please observe the following preventative maintenance schedule.



**DANGER OF BURNS: The areas marked with this sign become hot. Great care should be taken when in the vicinity of these areas.**

**WARNING: Hot surface**

**ACHTUNG: Heisse Oberfläche**

**ATTENTION: Surface chaude**

**ATTENZIONE: Superficie calda**

### GENERAL

The manufacturer disclaims all liability for damages to items or persons due to improper use or due to the coffee machine being used for purposes other than its intended use.

Do not operate the coffee machine with wet hands or bare feet.

Ensure that the appliance is not used by children or persons who have not been instructed in its correct use.

### DANGER OF BURNS

Do not place the hands or other parts of the body close to the coffee dispensing groups, or near to the steam and hot-water nozzles.

### CUP-WARMER TRAY

Place only coffee cups, cups and glasses to be used in conjunction with the coffee machine on the cup-warmer tray.

Ensure that the coffee cups are completely drained before placing them on the cup-warmer tray.

No other objects shall be placed on the cup-warmer tray.

### MACHINE CLOSE-DOWN



When the machine is left unattended for a prolonged period (for example out of hours), carry out the following steps:

- Clean as indicated in the dedicated chapter;
- Remove the plug or turn off the main off-on switch;
- Close the water tap.

• **NOTE:** for machines which can be programmed to switch on and off automatically, the power must be left on only if this function is active.

Non-compliance with these safety measures exonerates the manufacturer from all liability for malfunctions, damage to property and/or injury to persons and/or animals.

If the machine is not working properly, turn off the machine, turn off the main off-on switch, and call the service centre. If the power-supply cord is damaged, switch off the machine and request a replacement from the service center.

To ensure safety during operation, it is absolutely necessary to:

- Follow all the manufacturer's instructions;
- Have qualified and authorized technicians periodically check that all safety devices are intact and functioning properly (the first inspection within three years of purchase and every year after that).



**⚠️ WARNING!** Maintenance by unqualified individuals can jeopardize the safety and conformity of the machine. Only use qualified, authorized technicians for repairs.

**⚠️ WARNING!** Only use original spare parts guaranteed by the manufacturer. If original spare parts are not used, the manufacturer's warranty will no longer be valid.

**⚠️ WARNING!** After maintenance, perform the installation **CHECK-UP** as indicated in the specific section of the user's manual.

**For California only**

**⚠️ WARNING:** Consuming beverages that have been prepared in this machine will expose you to lead, a chemical known to the State of California to cause birth defects and other reproductive harm.

DAILY  
 EVERY 1—2 MONTHS  
 EVERY 6 MONTHS  
 EVERY 12—18 MONTHS  
 WOOD CARE

## DAILY

### BODY

#### PARTS AND TOOLS:

- Soft, clean towel
- Non-abrasive cleaner, e.g. window cleaner (optional)

#### PROCEDURE:

Use a soft, clean towel to wipe the surfaces of the machine. Do not use abrasive cleaners. Small amounts of window cleaner may be used on the stainless steel components. If your Slayer has wood panels, please refer to the "Wood Care" section.

### GROUPHEADS

Cleaning and backflushing the groupheads prevents the build up of coffee oils. In a commercial setting (high volume), backflush twice daily: once with water and once with an approved espresso machine cleaning powder. In a home (low volume), backflush weekly with an approved espresso machine cleaning powder.

30  
 33  
 34  
 35

- 39 **• IMPORTANT:** Machines equipped with Teflon-coated dispersion screens require maintenance tasks that may be unfamiliar to you. If using Teflon-coated screens, note the following warnings before cleaning. Failure to do so will result in the deterioration of the Teflon coating. If you are uncertain about the type of screen(s) installed on your machine, contact Slayer before proceeding with any maintenance tasks.

### CLEANING GUIDELINES FOR TEFLON-COATED SCREENS

To clean screen, remove from grouphead, rinse with hot water, and wipe with a soft towel. Clean at least twice daily in a commercial setting (high volume) or once weekly in a home (low volume).

- Do not scrub Teflon-coated screen with any coarse material, such as a plastic brush.



- Do not soak Teflon-coated screen in detergent.
- Do not backflush grouphead with detergent while Teflon-coated screen is in place.
  - When backflushing with detergent, remove Teflon-coated screen and replace with a noncoated screen. Do not attempt to backflush grouphead without a screen in place.

## GENERAL GROUP CLEANING

Recommended as part of every backflush cycle, or as needed.

### PARTS & TOOLS

- Cleaning brush or towel
- Flat-head screwdriver
- Portafilter with basket removed

### PROCEDURE

1. Use a cleaning brush or towel to scrub the portafilter gasket and loosen oil and coffee grounds.
2. Remove the dispersion screw and screen with a flat-head screwdriver and rinse with clean water.
  - Ensure that the dispersion screw holes remain clear of coffee grounds, as they may otherwise damage internal parts of the grouphead.
3. Use a clean, damp towel to wipe oil and grounds from the face and sides of the dispersion block, as well as the portafilter body.
4. Return the clean dispersion screw and screen to the grouphead.
  - **CAUTION: failure to reinstall the dispersion screw and screen before next use may cause the grouphead to clog. Do not attempt to brew espresso or backflush grouphead before the dispersion screw and screen have been correctly installed.**
5. Thoroughly rinse portafilter with hot water, insert basket, and lock in grouphead.

## BACKFLUSHING WITH WATER ONLY

Recommended once daily for commercial settings; optional for homes. May be performed when Teflon-coated dispersion screens are installed. (See “Cleaning Guidelines for Teflon-Coated Dispersion Screens”, above.)

When activated, the group cleaning program will automatically perform backflush cycles to clean the group.

### PARTS & TOOLS

- Cleaning brush or towel
- Flat-head screwdriver
- Blind portafilter insert
- Portafilter

### PROCEDURE

1. Complete “General Group Cleaning” steps 1—4 above.
2. Replace portafilter basket with blind insert and lock in grouphead.
3. Press the round touch sensor near the center of the screen to activate the menu.
4. Swipe from left to right until the “Group Cleaning” setting comes into view.
5. Press the round touch sensor to activate cleaning program. A timer will appear, count down from “5”, and the program will begin. As the program runs, another timer will appear to indicate its progress, counting down from “150”.
6. After cleaning program, follow prompt on screen, removing portafilter from grouphead and pressing the round touch sensor to continue. The group will begin rinsing automatically and a timer will appear, counting down from “15”.
7. Follow prompt on screen, removing portafilter from grouphead and pressing the round touch sensor to continue.
8. Remove blind insert from portafilter and use a clean, damp towel to wipe oil and grounds from portafilter body.
9. Thoroughly rinse portafilter with hot water, insert basket, and lock in grouphead.

## BACKFLUSHING WITH ESPRESSO MACHINE CLEANER

Recommended once daily for commercial settings; once weekly for homes. Do not perform when Teflon-coated dispersion screens are installed. (See “Cleaning Guidelines for Teflon-Coated Dispersion Screens” above.)



## PARTS & TOOLS

- Replacement shower screens
- Replacement dispersion screws
- Cleaning brush or towel
- Flat-head screwdriver
- Approved espresso machine cleaner
- Blind portafilter insert
- Portafilter

## PROCEDURE

1. Complete “General Group Cleaning” steps 1—3 above.
2. Soak dispersion screw and screen overnight in a solution of hot water and approved espresso machine cleaning powder. Later, rinse thoroughly with clean water.
  - **Only for non-coated screens; do not soak Teflon-coated screen in detergent. (See “Cleaning Guidelines for Teflon-Coated Dispersion Screens” above.)**
3. Install a clean, second set of dispersion screw and non-coated screen.
  - **CAUTION: failure to reinstall the dispersion screw and screen before next use may cause the grouphead to clog. Do not attempt to brew espresso or backflush grouphead before the dispersion screw and screen have been correctly installed.**
4. Remove the basket and portafilter spring from the portafilter and soak overnight with the dispersion screw and screen. Later, rinse thoroughly with clean water.
  - **CAUTION: do not soak portafilters with wood handles attached. Exposure to water and/or chemicals may cause wood to crack or warp.**
5. Place the included blind insert in a portafilter, add approved espresso machine powder, and lock in grouphead.
6. Press the round touch sensor near the center of the screen to activate the menu.
7. Swipe from left to right until the “Group Cleaning” setting comes into view.
8. Press the round touch sensor to activate cleaning program. A timer will appear, count down from “5”, and the program will begin. As the program runs, another timer will appear to indicate its progress, counting down from “150”.

- **Only for non-coated screens; do not backflush grouphead with detergent while Teflon-coated screen is in place. (See “Cleaning Guidelines for Teflon-Coated Dispersion Screens” above.)**

9. After cleaning program, follow prompt on screen, removing portafilter from grouphead and pressing the round touch sensor to continue. The group will begin rinsing automatically and a timer will appear, counting down from “15”.
10. Follow prompt on screen, removing portafilter from grouphead and pressing the round touch sensor to continue.
11. Remove blind insert from portafilter and use a clean, damp towel to wipe oil and grounds from portafilter body.
12. Thoroughly rinse portafilter with clean, hot water.
13. Later, after soaking, reattach portafilter spring and basket and lock portafilter in grouphead.

## STEAM WAND

After steaming milk, clean the exterior of the steam wand by wiping it thoroughly with a damp towel, then clear its interior by briefly allowing steam to flow.

If the steam wand tips clog, soak in hot water for several minutes, then briefly engage steam with wand submerged. For tough clogs, use an approved espresso machine steam wand cleaner.





## EVERY 1—2 MONTHS

### REPLACING SHOWER SCREEN

The dispersion screen may become bent or damaged and should be replaced periodically. Ideally, the screen will sit firmly against the metal backing. If a gap forms, replace the dispersion screen.

#### PARTS & TOOLS

- Replacement shower screen
- Flat-head screwdriver

#### PROCEDURE

1. Complete steps 1—3 of “General Group Cleaning” under “Grouphead”.
2. Discard old dispersion screen.
3. Install new screen and secure with the screw from step 1, taking care not to over-tighten. Tighten the screw with your fingers until it is secure, then rotate an additional 90 degrees (1/4 turn) with the screwdriver.

• **CAUTION: failure to reinstall the dispersion screw and screen before next use may cause the grouphead to clog. Do not attempt to brew espresso or backflush grouphead before the dispersion screw and screen have been correctly installed.**

• **For additional assistance with this procedure, refer to parts diagrams.**

#### PROCEDURE

1. Complete steps 1—3 of “General Group Cleaning” under “Grouphead”.
2. Use a pick or awl to remove the old portafilter gasket, pressing the pick into the gasket and pulling downwards. If the gasket breaks into small pieces, continue picking until the entire gasket has been removed.
3. Insert new portafilter gasket in such a way that the flat side touches the grouphead and the round side is visible from the bottom. Gently press the gasket into place, then use a screwdriver, pick, or awl to secure it in place.
4. Return the clean dispersion screw and screen to the grouphead.

• **CAUTION: failure to reinstall the dispersion screw and screen before next use may cause the grouphead to clog with coffee particles. Do not attempt to brew espresso before the dispersion screw and screen have been correctly installed.**

• **For additional assistance with this procedure, refer to parts diagrams.**

### REPLACING PORTAFILTER GASKET

The portafilter gasket forms a seal between the portafilter and the grouphead, preventing leaks. Over time, the portafilter gasket will become hard and lose its seal. If it becomes difficult to insert the portafilter or if dripping occurs around the portafilter body while brewing, replace the portafilter gasket.

#### PARTS & TOOLS

- Replacement 6.1mm portafilter gasket
- Flat-head screwdriver
- Pick or awl
- Cleaning brush or towel



## EVERY 6 MONTHS

### BEFORE MAINTENANCE PROCEDURE

Before starting the 6-month maintenance procedure, make the following preparations:

1. Turn off steam tank heating element. Read “Step 8: Turn On Heating Elements” on page 15 for help completing this step.
2. Turn off machine by disconnecting its power source.
3. Turn off water supply, either at the source or at the filtration system.
4. Pull steam actuator forward, into the “on” position, to drain steam.
5. Lift to remove cup tray assembly.

### DRAINING STEAM TANK

As steam is produced and exits the wand, minerals in the water are left behind build up inside the boiler. The steam tank needs to be drained periodically to remove these excess minerals. For assistance with this procedure, refer to parts diagrams.

#### PARTS & TOOLS:

- Wrench

#### PROCEDURE:

1. Per previous steps under “Before Maintenance Procedures”, ensure that the steam tank heating element is off, the machine is disconnected from its power source and water supply, the steam tank is emptied of steam, and the cup tray assembly is removed. Then, locate the shutoff valve on the lower left side of the steam boiler.
2. Use a wrench to partially open the shut-off valve. Water will begin to drain from the tank, through the drain tube.

⋮ **CAUTION: Do not fully open the shut-off valve or** else water and steam will exit violently.

⋮ **For additional assistance with this procedure, refer** to parts diagrams.

### ADJUSTING BREW ACTUATOR TENSION

If the brew actuator becomes loose, tighten with the following steps:

#### PARTS AND TOOLS:

- Flat-head screwdriver
- Allen key

#### PROCEDURE:

1. Per previous steps under “Before Maintenance Procedures”, ensure that the machine is disconnected from its power source and water supply.
2. Use a flat-head screwdriver to remove the lock screw from the top of the brew actuator.
3. Tighten the locking nut with an allen key. Test tightness by moving the actuator back and forth.
4. Adjust locking nut until desired tension is achieved.
5. Replace lock screw.

⋮ **For additional assistance with this procedure, refer to parts diagrams.**

### AFTER MAINTENANCE PROCEDURES

After completing the 6-month maintenance procedure, make the following preparations to resume normal machine operation:

1. Install cup tray assembly.
2. Turn on water supply.
3. Move the steam actuator to the “on” position.
4. Reconnect machine to power source; tank will automatically begin to fill.
5. Filling is complete when the pump motor ceases to work and a “click” is heard. When tank is full, turn on steam tank heating element.
6. Heating is complete when steam begins to flow from the steam wand. When the machine is heated, move the actuator into the “off” position.
7. Lift to remove cup tray assembly and check the inside of the machine for leaks or collected water. If any leaks are discovered, immediately disconnect power source. Do not resume operation until leaks have been resolved.



## EVERY 12—18 MONTHS

### BEFORE MAINTENANCE PROCEDURES

Before starting the 12—18 month maintenance procedure, make the following preparations:

1. Turn off steam tank and brew tank heating elements. Read “Step 8: Turn On Heating Elements” on page 15 for help completing this step.
2. Turn off machine by removing its power source.
3. Turn off water supply, either at the source or at the filtration system.
4. Pull steam actuator forward, into the “on” position, to drain steam.
5. Lift to remove cup tray assembly.
6. Use phillips-head screwdriver to loosen the four (4) screws on the curved front panel; remove panel.

### REPLACING STEAM AND HOT WATER VALVE PIN O-RINGS

When the steam actuator is moved into the “on” position, it pushes a brass pin into the steam valve, which causes the valve to open and allows steam to flow. The two (2) o-rings on the steam valve pin should be replaced every 12—18 months.

#### PARTS & TOOLS

- Replacement steam/hot water valve pin o-rings
- Flat-head screwdriver
- 9/16” socket wrench
- Pliers
- Pick or awl

#### PROCEDURE

1. Per previous steps under “Before Maintenance Procedures”, ensure that all heating elements are off, the machine is disconnected from its power source and water supply, the steam tank is emptied of steam, and both the cup tray assembly and curved front panel are removed.
  - **When not proceeding to other preventative maintenance tasks, removal of curved front panel may be skipped.**
2. Begin with one actuator assembly, steam or hot water: use a flat-head screwdriver to loosen the shoulder bolt. Once loose, carefully

remove the shoulder bolt, ensuring that the steam actuator assembly does not fall.

3. Lift to remove the actuator assembly.
4. Use pliers to remove the valve pin.
5. Use a pick or awl to remove the o-rings from the valve pin and discard them; install new o-rings.
6. Rub Slayer lubricant on the pin and return the pin to the valve.
7. Reattach the actuator hub and shoulder bolt, tightening with a flat-head screwdriver.
  - **Skip this step if proceeding to other preventative maintenance tasks.**
8. Repeat steps 1-6 with the other actuator hub, steam or hot water.
  - **For additional assistance with this procedure, refer to parts diagrams.**

### REPLACING SHOULDER BOLT SHIMS

The shoulder bolt’s shims create a snug fit between the steam and hot water actuator hubs and the side panel. Whenever one of the actuator hubs is removed, replace the shims.

#### PARTS & TOOLS

- Additional shoulder bolt shims
- Flat-head screwdriver
- 9/16” socket wrench

#### PROCEDURE

1. Per previous steps under “Before Maintenance Procedures”, ensure that all heating elements are off, the machine is disconnected from its power source and water supply, the steam tank is emptied of steam, and both the cup tray assembly and curved front panel are removed.
  - **When not proceeding to other preventative maintenance tasks, removal of curved front panel may be skipped.**
2. Begin with one actuator assembly, steam or hot water: use a flat-head screwdriver to loosen the shoulder bolt. Once loose, carefully remove the shoulder bolt, ensuring that the steam actuator assembly does not fall.



3. Lift to remove the actuator assembly.
4. Remove the shims from the shoulder bolt and discard them; install new shims.
5. Rub Slayer lubricant on the inside face of the actuator hub, the nylon ramp inside of the actuator hub, and all corresponding contact points on the x-frame.
6. Reattach the actuator hub and shoulder bolt, confirming fit by wiggling the hub. If the hubs do not fit snugly, remove the shoulder bolt and actuator hub and add more shims.

• **Skip this step if proceeding to other preventative maintenance tasks.**

7. Repeat step 6 until hub fits snugly.
8. Repeat steps 2—7 with the other actuator assembly, steam or hot water.

• **For additional assistance with this procedure, refer to parts diagrams.**

## REPLACING EXPANSION VALVE

When the expansion valve seal wears, leaking may occur. This will lead to temperature loss in the brew tank and premature failure of the water filtration system. To diagnose a worn expansion valve, look for excessive water flow in the expansion valve drain tube.

### PARTS & TOOLS

- Replacement expansion valve
- Replacement copper gasket
- Wrench
- Teflon tape

### PROCEDURE

1. Per previous steps under “Before Maintenance Procedures”, ensure that all heating elements are off, the machine is disconnected from its power source and water supply, and both the cup tray assembly and curved front panel are removed.
2. Locate the expansion valve on top of the steam tank, then disconnect silicone tube from the expansion valve.
3. Use a wrench to remove the expansion valve from the steam tank and discard.
4. Apply Teflon tape to the threads of the new expansion valve and fit with a new copper gasket.

5. Install a new expansion valve, tightening with a wrench.
6. Reconnect the silicone tube.

• **For additional assistance with this procedure, refer to parts diagrams.**

## REPLACING ANTI-SUCTION VALVE

The anti-suction valve prevents a vacuum from forming in the steam tank, which would suck milk into the steam tank.

### PARTS & TOOLS

- Replacement anti-suction/vacuum valve
- Replacement copper gasket
- Wrench
- Teflon tape

### PROCEDURE

1. Per previous steps under “Before Maintenance Procedures”, ensure that all heating elements are off, the machine is disconnected from its power source and water supply, the steam tank is emptied of steam, and the cup tray assembly is removed.
2. Locate the anti-suction valve on top of the steam tank, then use a wrench to remove it. Note the placement of the attached copper gasket, then discard both the gasket and the old valve.
3. Apply Teflon tape to the threads of a new antisuction valve and fit with a new copper gasket.
4. Install a new anti-suction valve, tightening with a wrench.

• **For additional assistance with this procedure, refer to parts diagrams.**

## REPLACING STEAM & HOT WATER VALVE SEALS

If steam leaks from either the tip or rotating base of the steam wand or hot water wand, replace the valve’s rubber seals, o-rings, and Teflon bushing.

### PARTS & TOOLS

- Replacement steam seat gasket
- Replacement Teflon bushing



- Replacement Teflon bushing o-ring
- Replacement Teflon steam seal
- Crescent wrench
- 9/16" wrench
- Wrench
- Pick or awl
- Slayer lubricant
- Needle-nose pliers
- Teflon tape

## PROCEDURE

1. Per previous steps under "Before Maintenance Procedures", ensure that all heating elements are off, the machine is disconnected from power source and water supply, the steam is emptied of steam, and both the cup tray assembly and curved front panel are removed.
2. Begin with one actuator assembly, steam or hot water: remove the tube that connects the steam tank to the steam or hot water valve.
3. Loosen and remove the wand tip.
4. Use a wrench to loosen the valve nut, then remove the nut and the wand.
  - **A Teflon bushing sits inside of the ball joint; ensure that it is not lost.**
5. Use a pick or awl to remove the Teflon steam seal from the underside of the steam wand valve nut.
6. Clean the inside of the nut and insert a new Teflon steam seal.
7. If the Teflon bushing appears dark or flattened, discard it and install a new bushing and o-ring, applying Slayer lubricant.
8. Reattach wand, tightening with a wrench.
9. Use a flat-head screwdriver to loosen the shoulder bolt. Once loose, carefully remove the shoulder bolt, ensuring that the steam actuator assembly does not fall.
10. Lift to remove the steam actuator assembly.
11. Use wrench to secure valve body; use second wrench to remove the valve's large, brass nut.
12. Remove spring from valve body and use needle nose pliers to remove the seat from the valve body.
13. Use a pick or awl to separate seat gasket from seat; insert new seat gasket.
14. Reinsert seat and spring in the steam valve.

15. Apply Teflon tape to the threads of the brass nut.
16. Use wrench to secure valve body; use second wrench to tighten brass nut.
17. Reconnect the tube to the valve and steam tank.
18. Reattach the actuator assembly and shoulder bolt, tightening with a flat-head screwdriver.
19. Repeat steps 2—18 with the other actuator assembly, steam or hot water.

## REPLACING WATER LEVEL PROBE

### PARTS & TOOLS

- Replacement water level probe
- Wrench
- Teflon tape

### PROCEDURE

1. Per previous steps under "Before Maintenance Procedures", ensure that all heating elements are off, the machine is disconnected from its power source and water supply, the steam tank is emptied of steam, and the cup tray assembly is removed.
2. Locate the water level probe on top of the steam tank, then remove wire from probe and set aside.
3. Use a wrench to loosen the smaller of the two nuts at the base of the probe, then pull probe to remove.
4. Install new water level probe, then tighten small nut to secure.
5. Reconnect wire to probe.

- **For additional assistance with this procedure, refer to parts diagrams.**

## REPLACING BREW ACTUATOR BEARING

### PARTS & TOOLS

- Replacement brew actuator bearing
- Flat-head screwdriver
- 1/4" allen key
- Phillips-head screwdriver



## PROCEDURE

1. Per previous steps under "Before Maintenance Procedures", ensure that all heating elements are off and the machine is disconnected from its power source.
2. Use a phillips-head screwdriver to loosen and remove the three (3) bolts from the brew cap; set aside.
3. Carefully, lift to remove brew cap.
  - **Several small parts sit underneath the brew cap: one (1) stainless finder washer, one (1) bayonet bolt, one (1) tongue assembly, one (1) disc spring, one (1) valve stem, and three (3) group cover spacers. Note their original positions and ensure that they are not moved.**
4. A plastic spacer is set in the underside the brew cap; remove and set aside.
5. Use a flat-head screwdriver to loosen and remove the lock screw from the top of the brew actuator; set aside.
6. Loosen and remove the locking nut with a 1/4" allen key; set aside.
  - **A spacer sits underneath the locking nut; ensure that it is not lost.**
7. Lift to remove brew actuator; set aside.
  - **A Teflon gasket sits underneath the brew actuator; remove and set aside.**
8. Flipping over the brew cap, use a blunt object (e.g. rubber mallet) to gently tap the actuator bearing (oilite bushing) until it has been removed; discard.
9. Install replacement brew actuator bearing.
10. Reattach brew actuator to brew cap with the following steps.
  - a. Place Teflon gasket (from step 6) on brew actuator bearing.
  - b. Place brew actuator on brew cap, pressing through Teflon gasket and brew actuator bearing.
  - c. Place spacer (from step 5) inside the top of the brew actuator.
  - d. Install locking nut (from step 5) and tighten with a 1/4" allen key.
  - e. Install lock screw (from step 4) and tighten with a flat-head screwdriver.
11. Place plastic spacer (from step 3) on top of stainless finder washer (from step 2).
12. Carefully, place brew cap on grouphead.
13. Reattach brew cap to grouphead with three (3) bolts, tightening with a phillips-head screwdrivers.
  - **For additional assistance, refer to parts diagrams.**

## AFTER MAINTENANCE PROCEDURES

After completing the 12-month maintenance procedure, make the following preparations to resume normal machine operation.

1. Install cup tray assembly.
2. Use phillips-head screwdriver and screws to reinstall curved front panel.
3. Turn on water supply, either at the source or at the filtration system.
4. Move steam actuator to the "on" position.
5. Reconnect machine to power source; tank will automatically begin to fill.
6. Filling is complete when the pump motor ceases to work and a "click" is heard. When tank is full, turn on steam tank heating element.
7. The machine is heated when steam begins to flow from the steam wand; at this point, move the actuator into the "off" position.
8. Lift to remove cup tray assembly and check the inside of the machine for leaks or collected water.



## WOOD CARE

Keep all wood components dry and away from harsh elements. Use a soft, dry towel to wipe the wood clean. For tougher messes, use a slightly damp towel, then promptly dry the wood. Do not use chemicals or cleaning agents. Moisture and chemicals may cause the wood to warp or crack.

If the wood begins to look aged and dry, rub a small amount of mineral oil into the wood with a clean, soft towel. Allow the oil to sink into the wood for at least five minutes, then wipe the remaining oil off with a dry towel.

*Make  
Coffee  
Better*