

**BEZZERA**

Dal 1901

**STREGA**

**COD. 9942051.04**

**REV. 00 ed.05/17**



**BEZZERA****STREGA**

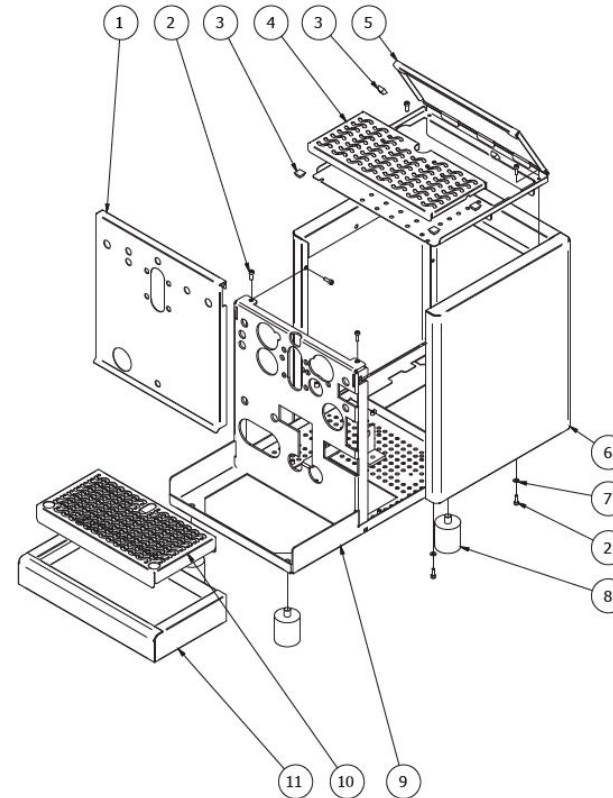
TABLE 1  
STREGA Mod. S - TOP

POS	CODE	DESCRIPTION
1	5074466.01SG	GROUP FRONTAL (from 02.03.16)
1	5074466SG	GROUP FRONTAL (up to 01.03.16)
2	7816002	SCREW TCEI M4X12
3	7474217	ADHESIVE FEET 12,7 H5,8
4	5074616LW	CUPS-HEATER GRID
5	5961602.01	CUPS-HEATER
6	5344025.01	BODY STAINLESS STEEL POLISHED
7	7809804	PLAIN WASHER D4
8	7474218	FEET M10 D40X46
9	5340003.05LL	CHASSIS BLACK
10	5074617LW	DIP TRAY GRID
11	5340503DL	DRIP TRAY STAINLESS STEEL POLISHED

3 - COD.9942051.04 - REV.00 ed.05/17

**BEZZERA****STREGA**

TABLE 1  
STREGA Mod. S - TOP

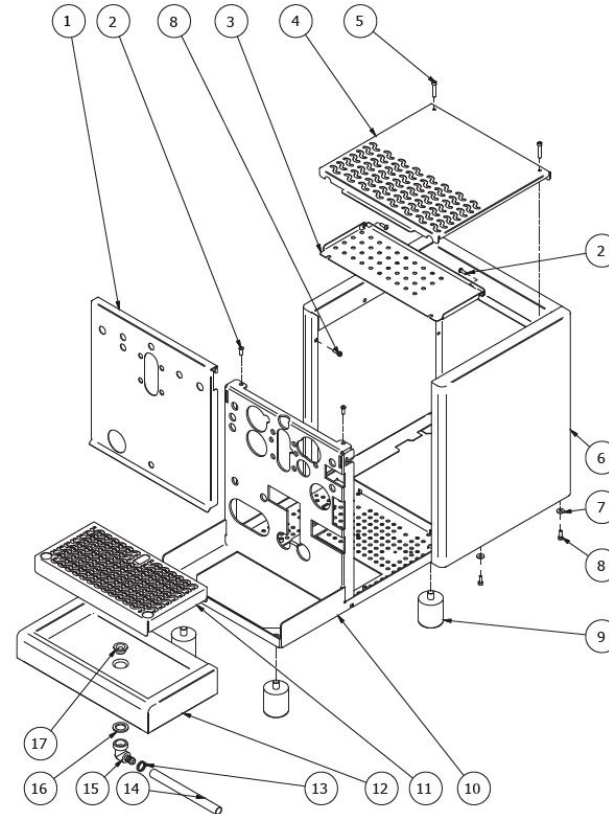


4 - COD.9942051.04 - REV.00 ed.05/17

**BEZZERA****STREGA**TABLE 1A  
STREGA Mod. R

POS	CODE	DESCRIPTION
1	5074466SG	GROUP FRONTAL (up to 01.03.16)
1	5074466.01SG	GROUP FRONTAL (from 02.03.16)
2	7819901	SCREW TTEI M4X12 ISO 7380 A2 INOX
3	5056330LW	CUPS-HEATER
4	5074620LW	CUPS-HEATER GRID
5	7819911	SCREW TTEI M4X25
6	5344025.01	BODY STAINLESS STEEL POLISHED
7	7809804	PLAIN WASHER D4
8	7816002	SCREW TCEI M4X12
9	7474218	FEET M10 D40X46
10	5340003.05LL	CHASSIS BLACK
11	5074617LW	DIP TRAY GRID
12	5340503LL	DRIP TRAY STAINLESS STEEL POLISHED
13	7611502	CLAMP D14
14	7303502	HOSE D14 L=1.5M PLASTIC
15	5224403.01	RUBBER-HOLDER D11 OT
16	5492022	GASKET D25 X 17 X 2
17	5225230	FITTING 3/8

5 - COD.9942051.04 - REV.00 ed.05/17

**BEZZERA****STREGA**TABLE 1A  
STREGA Mod. R

6 - COD.9942051.04 - REV.00 ed.05/17

**BEZZERA**

**STREGA**

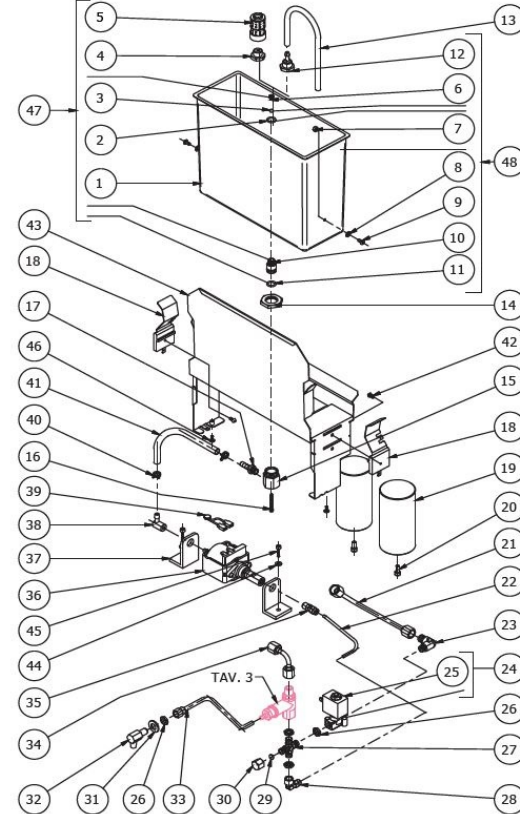
TABLE 2  
STREGA Mod. S

POS	CODE	DESCRIPTION
1	7373006.03	TANK
2	7496073.01	OR GASKET 115 EP856
3	5471509	BALL 7/32 AISI 304
4	5302065	REDUCTION GEAR 1/4
5	7374002	FILTER 1/4
6	5471521.01	COUPLING SPRING
7	7812601	NUT M4 STAINLESS STEEL
8	7374004	WASHER D4 NYLON
9	7819908	SCREW TTEI M4X8
10	5224617	GASKET-HOLDER D14.5 X 25 OT
11	7496076	OR GASKET 112 EPDM 70SH
12	5224414	RUBBER-HOLDER
13	5194540	HOSE 8X5 L=300 SILICONE
14	5221830	NUT M20 H5 OT
15	5225228	FITTING M20 H28.5 OT
16	7826206	SCREW TCI M3X30 UNI 6107 OT
17	5225246	FITTING 1/8G CONIC ES.10 H33 OT
18	5471535	TANK SUPPORT SHAPED SPRING
19	5479918CT	COUNTERWEIGHT
20	7816001	SCREW TCEI M5X12 UNI5931 A2
21	5162237.01LL	BOILER LOAD HOSE
22	5194596	INLET HOSE
23	5301504TR	UNION ELBOW 1/8
24	7701111	SOLENOID VALVE 2 WAY 115V PARKER
24	7702310	SOLENOID VALVE 2 WAY 230V PARKER
24	7702409	SOLENOID VALVE 2 WAY 240V PARKER
25	7630327	SOLENOID VALVE COIL 110V PARKER
25	7630328	SOLENOID VALVE COIL 220/230V PARKER
25	7630329	SOLENOID VALVE COIL 240V PARKER
26	5221844	NUT 1/8

**BEZZERA**

**STREGA**

TABLE 2  
STREGA Mod. S



**BEZZERA**

**STREGA**

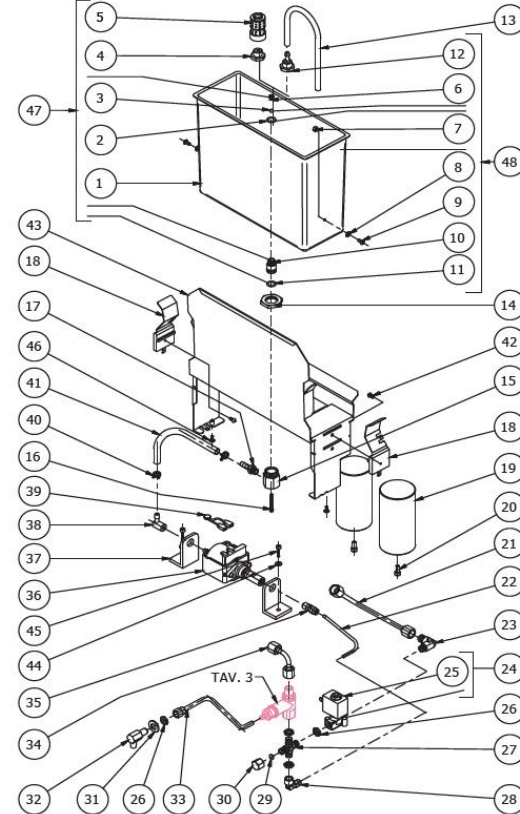
TABLE 2  
STREGA Mod. S

POS	CODE	DESCRIPTION
27	7304001TR	UNION 1/8
28	7303034TR	UNION ELBOW 1/8
29	5492019	GASKET D8 X 2 ASBESTOS FREE
30	5221835	CAP NUT 1/8
31	7815001	WASHER D10 UNI 6592 A2
32	5283018CM	DRAIN FITTING FOR SURPRESSION VALVE 1/8-G CHROMED
33	5194559LL	SURPRESSION VALVE HOSE
34	5162236.01LL	SURPRESSION VALVE - HEAT EXCHANGER HOSE
35	7303036TR	STRAIGHT FITTING 1/8
36	7731018	VIBRATION PUMP EX5 100V C/OR
36	7731019	VIBRATION PUMP EX5 120V WITH OR
36	7731022	VIBRATION PUMP EX5 220V 60HZ WITH OR
36	7731020	VIBRATION PUMP EX5 230V WITH OR
36	7731021	VIBRATION PUMP EX5 240V WITH OR
37	7470602	VIBRATION-DAMPING
38	7303006	RUBBER-HOLDER FITTING
39	7634816	THERMIC SAFETY DEVICE 100°C AUTOMATIC
40	7611512	CLAMP
41	5194529	CRISTAL HOSE D6 X 9 L=150MM
42	7809806	SCREW TC M 3.5X8 PLASTITE
43	5963009.03	ASSEMBLY TANK SUPPORT
44	7805009	PLAIN WASHER D5 X 11 X 1
45	7816004	SCREW TCEI M4 X 16
46	7816009	SCREW TCEI M4X10
47	5963070.03	ASSEMBLY TANK WITH FILTER
48	5963071.03	ASSEMBLY TANK WITH RUBBER-HOLDER

**BEZZERA**

**STREGA**

TABLE 2  
STREGA Mod. S



**BEZZERA**

**STREGA**

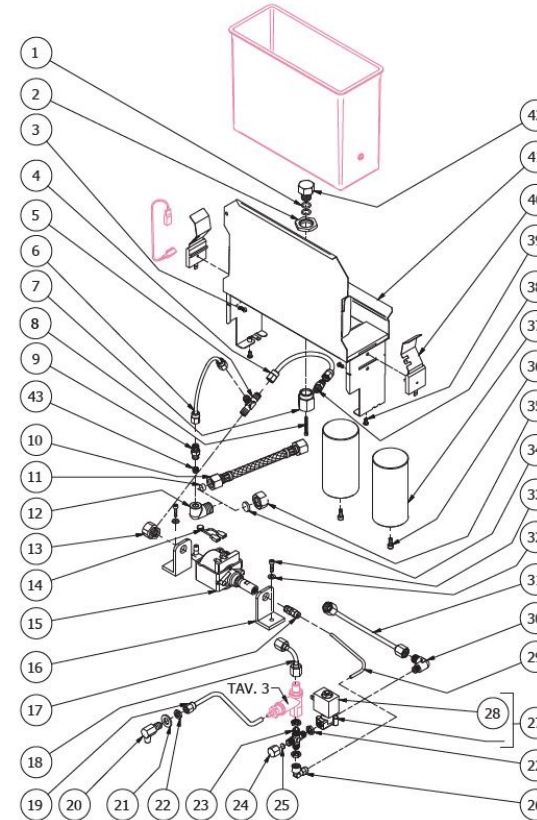
TABLE 2A  
STREGA Mod. TOP

POS	CODE	DESCRIPTION
1	7496076	OR GASKET 112 EPDM 70SH
2	5221830	NUT M20 H5 OT
3	7809806	SCREW TC M 3,5X8 PLASTITE
4	5194598LL	HOSE
5	7304514TR	FITTING
6	5194597LL	PUMP LOAD HOSE
7	5225228	FITTING M20 H28.5 OT
8	7826206	SCREW TCI M3X30 UNI 6107 OT
9	7304502LA	STRAIGHT FITTING 1/8
10	7200512	FLEXIBLE HOSE
10	7200514	FLEXIBLE HOSE 3/8
11	5471032	FILTER
11	7492004	GASKET D8.5 X 4.2 X 1.5
12	5301519	UNION ELBOW 3/8
12	7304507TR	UNION ELBOW 1/8
13	5225278	FITTING
14	7634816	THERMIC SAFETY DEVICE 100°C AUTOMATIC
15	7731018	VIBRATION PUMP EX5 100V C/OR
15	7731019	VIBRATION PUMP EX5 120V WITH OR
15	7731022	VIBRATION PUMP EX5 220V 60HZ WITH OR
15	7731020	VIBRATION PUMP EX5 230V WITH OR
15	7731021	VIBRATION PUMP EX5 240V WITH OR
16	7470602	VIBRATION-DAMPING
17	7303036TR	STRAIGHT FITTING 1/8
18	5162236.01LL	SURPRESSION VALVE - HEAT EXCHANGER HOSE
19	5194559LL	SURPRESSION VALVE HOSE
20	5283018CM	DRAIN FITTING FOR SURPRESSION VALVE 1/8-G CHROMED
21	7815001	WASHER D10 UNI 6592 A2
22	5221844	NUT 1/8
23	7304001TR	UNION 1/8

**BEZZERA**

**STREGA**

TABLE 2A  
STREGA Mod. TOP



**BEZZERA**

**STREGA**

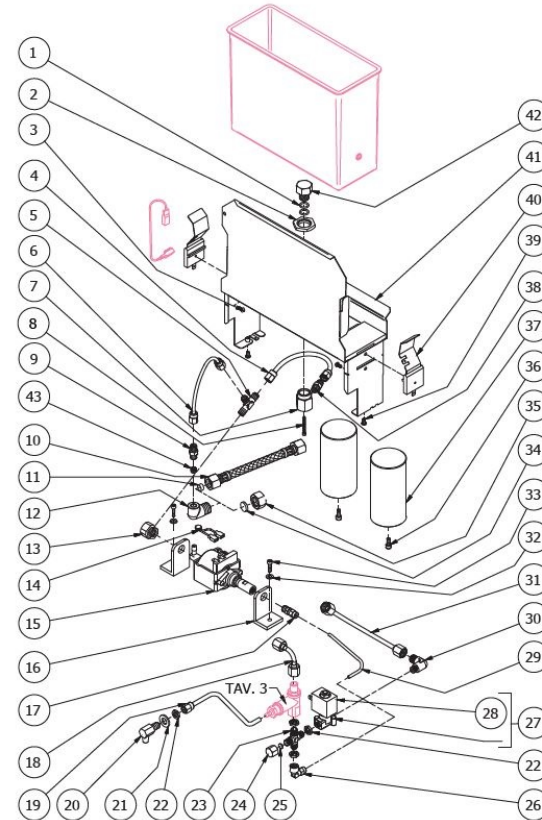
TABLE 2A  
STREGA Mod. TOP

POS	CODE	DESCRIPTION
24	5221835	CAP NUT 1/8
25	5492019	GASKET D8 X 2 ASBESTOS FREE
26	7303034TR	UNION ELBOW 1/8
27	7702310	SOLENOID VALVE 2 WAY 230V PARKER
27	7702409	SOLENOID VALVE 2 WAY 240V PARKER
27	7701111	SOLENOID VALVE 2 WAY 115V PARKER
28	7630328	SOLENOID VALVE COIL 220/230V PARKER
28	7630329	SOLENOID VALVE COIL 240V PARKER
28	7630327	SOLENOID VALVE COIL 110V PARKER
29	5194596	INLET HOSE
30	5301504TR	UNION ELBOW 1/8
31	5162237.01LL	BOILER LOAD HOSE
32	7805009	PLAIN WASHER D5 X 11 X 1
33	7816004	SCREW TCEI M4 X 16
34	5492019	GASKET D8 X 2 ASBESTOS FREE
34	5492011	GASKET D15X3
35	5221835	CAP NUT 1/8
35	5221819	CAP NUT 3/8
36	7816001	SCREW TCEI M5X12 UNI5931 A2
37	5479918CT	COUNTERWEIGHT
38	7304502TR	STRAIGHT FITTING 1/8
39	7816009	SCREW TCEI M4X10
40	5471535	TANK SUPPORT SHAPED SPRING
41	5963009.03	ASSEMBLY TANK SUPPORT
42	5226416	PLUG
43	5223013	JET M5 D1

**BEZZERA**

**STREGA**

TABLE 2A  
STREGA Mod. TOP



**BEZZERA**

**STREGA**

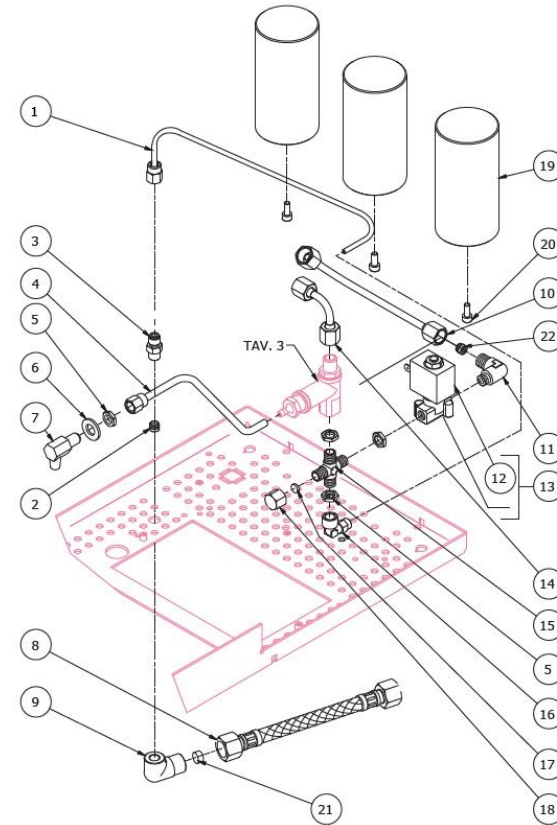
TABLE 2B  
STREGA Mod. R

POS	CODE	DESCRIPTION
1	5194574.01LL	PUMP-SOLENOID VALVE HOSE
2	5223013	JET M5 D1
3	7304502LA	STRAIGHT FITTING 1/8
4	5194559LL	SURPRESSION VALVE HOSE
5	5221844	NUT 1/8
6	7815001	WASHER D10 UNI 6592 A2
7	5283018CM	DRAIN FITTING FOR SURPRESSION VALVE 1/8-G CHROMED
8	7200512	FLEXIBLE HOSE
8	7200514	FLEXIBLE HOSE 3/8
9	5301519	UNION ELBOW 3/8
9	7304507TR	UNION ELBOW 1/8
10	5162237.01LL	BOILER LOAD HOSE
11	5301504TR	UNION ELBOW 1/8
12	7630328	SOLENOID VALVE COIL 220/230V PARKER
12	7630329	SOLENOID VALVE COIL 240V PARKER
12	7630327	SOLENOID VALVE COIL 110V PARKER
13	7702310	SOLENOID VALVE 2 WAY 230V PARKER
13	7702409	SOLENOID VALVE 2 WAY 240V PARKER
13	7701111	SOLENOID VALVE 2 WAY 115V PARKER
14	5162236.01LL	SURPRESSION VALVE - HEAT EXCHANGER HOSE
15	7304001TR	UNION 1/8
16	7303034TR	UNION ELBOW 1/8
17	5492019	GASKET D8 X 2 ASBESTOS FREE
18	5221835	CAP NUT 1/8
19	5479918CT	COUNTERWEIGHT
20	7816001	SCREW TCEI M5X12 UNI5931 A2
21	7492004	GASKET D8.5 X 4.2 X 1.5
21	5471032	FILTER
22	5223003	JET M6 X 6 HOLE D0.8 OT

**BEZZERA**

**STREGA**

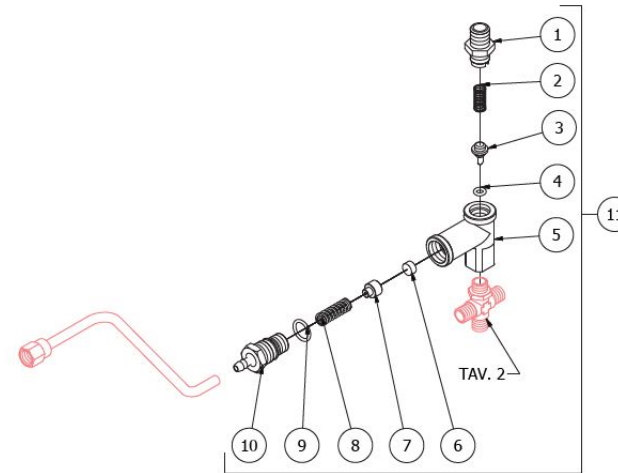
TABLE 2B  
STREGA Mod. R





**BEZZERA****STREGA**TABLE 3 - (up to 30/10/2012)  
STREGA

POS	CODE	DESCRIPTION
1	5302017TP	STRAIGHT FITTING M12 H26.5 OT
2	5471505	SPRING
3	5224615TP	GASKET-HOLDER
4	7496018	OR GASKET 105 VITON
5	5283049	SURPRESSION VALVE BODY
6	5493001	GASKET D8 X 4 EPT 70SH
7	5224619TP	GASKET-HOLDER
8	5471506.01	CALIBRATED SPRING D1 H26 AISI 302
9	7496052	OR GASKET 114
10	5302072	RUBBER-HOLDER FITTING
11	5965165	ASSEMBLY SURPRESSION VALVE 12BAR

**BEZZERA****STREGA**TABLE 3 - (up to 30/10/2012)  
STREGA

BEZZERA

STREGA

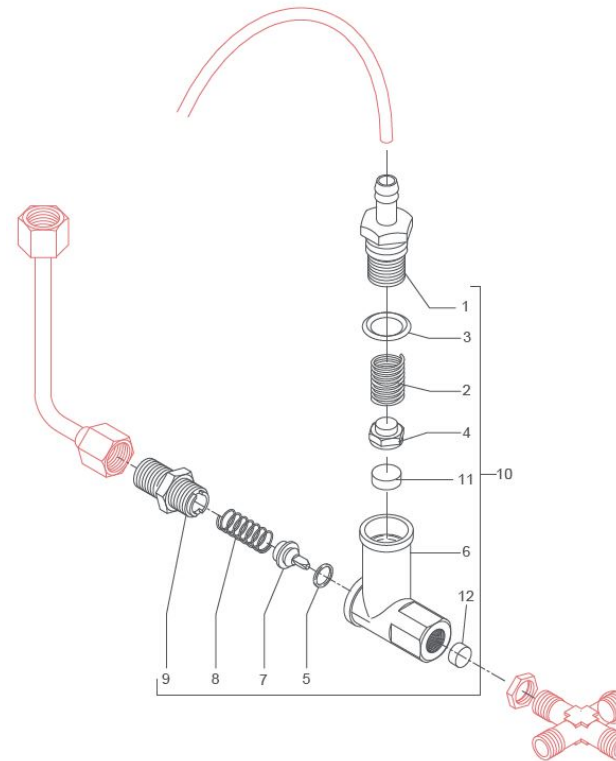
TABLE 3 - (from 31/10/2012 )  
STREGA

POS	CODE	DESCRIPTION
1	5302017TP	STRAIGHT FITTING M12 H26.5 OT
2	5471505	SPRING
3	5224615TP	GASKET-HOLDER
4	7496018	OR GASKET 105 VITON
5	5283053TP	SURPRESSION VALVE BODY
6	5493042	GASKET D.11X3
7	5224620TP	GASKET-HOLDER
8	5471539	CALIBRATED SPRING D.1,6
9	7496052	OR GASKET 114
10	5302077TP	RUBBER-HOLDER FITTING
11	5965212.01AL	ASSEMBLY SURPRESSION VALVE 12BAR
12	5471019	INOX WIRE FILER D8,5X5 AISI304

BEZZERA

STREGA

TABLE 3 - (from 31/10/2012 )  
STREGA



**BEZZERA**

**STREGA**

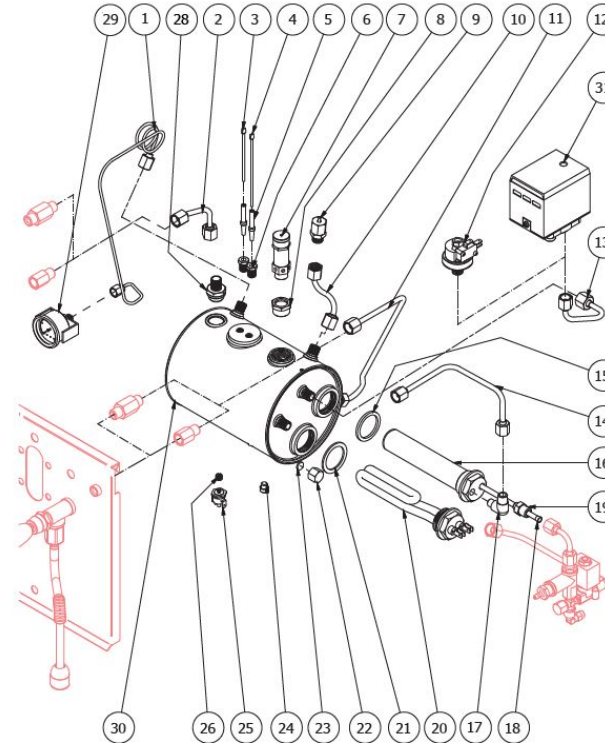
TABLE 4  
STREGA

POS	CODE	DESCRIPTION
1	7400901	PRESSURE GAUGE CAPILLARY
2	5162234LL	STEAM TAP HOSE
3	5265819	LEVEL PROBE D3 X 80 X 6.3
4	5265812	MINIMUM LEVEL PROBE D3 X 110 X 4.8
5	5192001	PROBE SHEATH D8 X 45 HOLE D3 PTFE
6	5225205	STRAIGHT FITTING M10 OT
7	7452509.02	SAFETY VALVE (from 01.03.11)
8	5225413	REDUCTION GEAR 1/2
9	7452511	VALVE
10	5162239.01LL	VALVE HOSE
11	5162233LL	WATER TAP HOSE
12	7433013	PRESSOSTAT XP/100 1/4
13	5162288LL	PRESSURE SWITCH HOSE
14	5162318LL	EXCHANGER HOSE-GROUP
15	5495007	GASKET D32 X 3 BRASS
16	5329019DC-AL	2 HOLES HEAT EXCHANGER 140MM
17	5301504TR	UNION ELBOW 1/8
18	5192301	SUCTION HOSE D6 L=130MM PTFE
19	5302006TP	STRAIGHT FITTING 1/8
20	5721127TP	HEATING ELEMENT 1350 110V
20	5722240TP	HEATING ELEMENT COPPER 220/240V - 1250/1450W
21	5492025	GASKET D42x32x2 PTFE
22	5221813	CAP NUT M12
23	5492008	GASKET D10.5 X 2
24	5227002	SCREW M8 X 6 OT
25	7434009	THERMOSTAT MANUAL 16A 135°C
26	5227007	DOWEL M8 X 6 HOLE M4
28	5302005	STRAIGHT FITTING 3/8
29	7432522	PRESSURE GAUGE D40 3BAR
30	5320501.02BL	ASSEMBLY BOILER POLISHED

**BEZZERA**

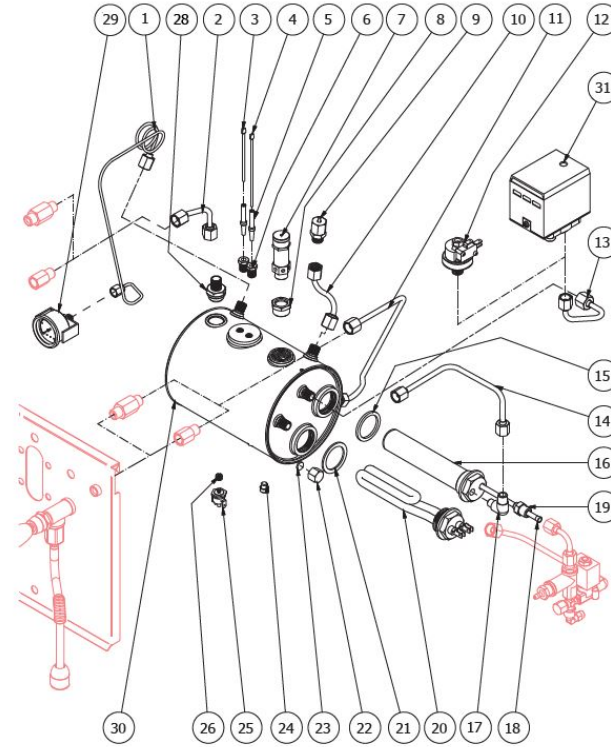
**STREGA**

TABLE 4  
STREGA



**BEZZERA****STREGA**TABLE 4  
STREGA

POS	CODE	DESCRIPTION
31	7433001	PRESSURE SWITCH P302/6 30A (only TOP version)

**BEZZERA****STREGA**TABLE 4  
STREGA

**BEZZERA**

**STREGA**

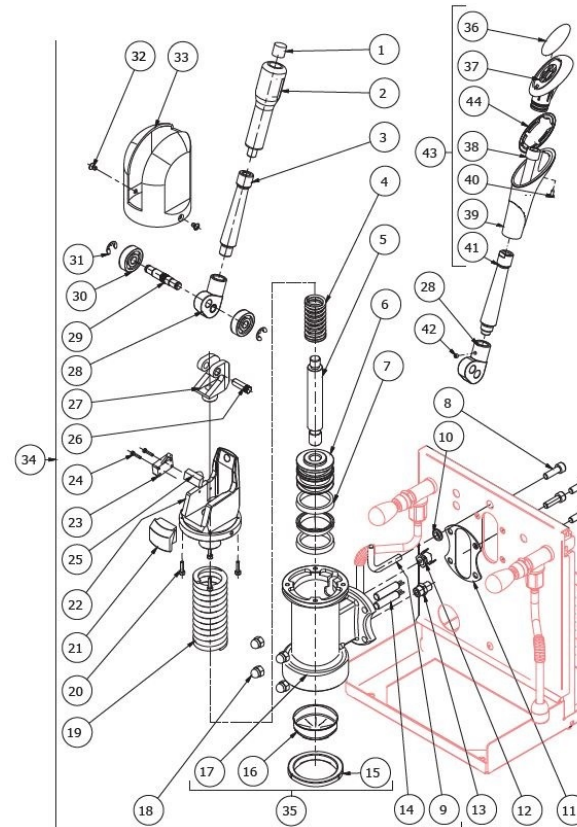
TABLE 5  
STREGA

POS	CODE	DESCRIPTION
1	5373915CM	KNOB CHROME CAP
2	7371502	KNOB POLISHED
3	5263202CM	LEVER CHROMED
4	5471538	SPRING
5	5260201	SHAFT
6	5224201	PISTON
7	7491001	LIP SEAL D51 X 41 X 8 NBR
8	7816015	SCREW TCEI M8X25
9	5163284CM	HOSE
10	7613007	FAIRLEAD M17V 3121145 RUBBER
11	7493017	INSULATING
12	7634808	THERMIC SAFETY DEVICE 250V 95-C AUTOMATIC
13	5302009	STRAIGHT FITTING M12 X 1/4
14	5963098.01	ASSEMBLY HEATING ELEMENT 220/240V
14	5963097.01	ASSEMBLY HEATING ELEMENT 110V
15	7493020	UNDERCUP GASKET
16	5470512	SHOWER D58X19
17	5283052TW	LEVER GROUP BODY
18	5221863CM	CAP NUT M8 CHROMED
19	5471537	SPRING D46 X 130 INOX
20	7816004	SCREW TCEI M4 X 16
21	5473002.01	BOTTOM VIBRATION DAMPER
22	5287507	BEARING SLIDE HEAD
23	5963110.01	MICROSWITCH WIRED (only TANK-TOP version)
24	7826203	SCREW TCI M3X14 (only TANK-TOP version)
25	5473001	UPPER VIBRATION DAMPER
26	5244007CN	STUD D9 X 29 CARBONITRIDED
27	5284501.01NC	GROUP FORK OT NICKEL-PLATED
28	5287003NC	ARTICULATION M16 OT NICKEL-PLATED
29	5244006	STUD D11 X 61

**BEZZERA**

**STREGA**

TABLE 5  
STREGA



**BEZZERA**

**STREGA**

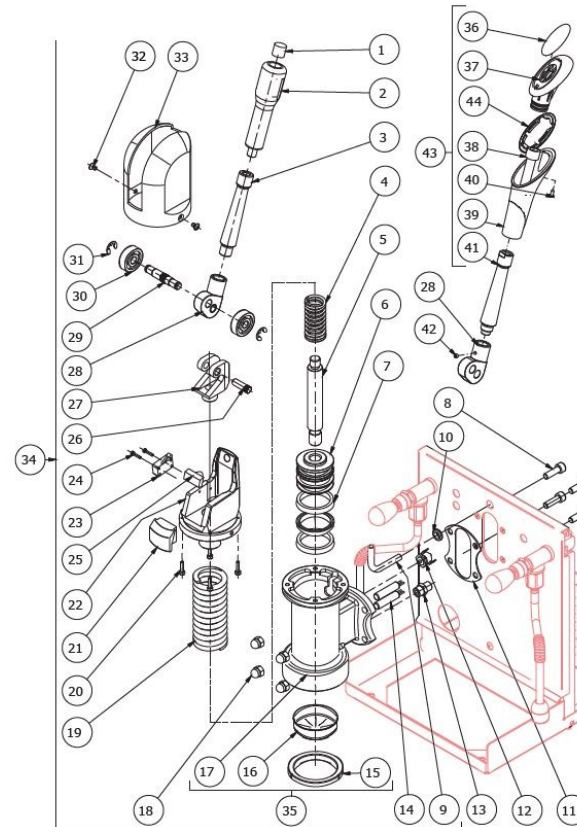
TABLE 5  
STREGA

POS	CODE	DESCRIPTION
30	7471801	BALL BEARING D35 X 10 X 11
31	7800601	RING D9 UNI 7434 R150
32	7817401	SCREW TCS M5X8
33	5370604CM	LEVER GROUP CAP
34	5963563	ASSEMBLY GROUP WITHOUT LEVER 110V (only TANK-TOP VERSION)
34	5963562	ASSEMBLY GROUP WITHOUT LEVER 220/240V (only TANK-TOP VERSION)
34	5963567	ASSEMBLY GROUP WITHOUT LEVER 220/240V (only WATER SUPPLY VERSION)
34	5963566	ASSEMBLY GROUP WITHOUT LEVER 110V (only WATER SUPPLY VERSION)
35	5283052.01R	GROUP BODY CHROMED + GASKET + SHOWER
36	5371205	PLATE WITH LOGO
37	5371204	PLUG CHROMED
38	7816026	SCREW TCEI M12X60
39	5371203	HANDLE
40	7809806	SCREW TC M 3,5X8 PLASTITE
40	7809810	SCREW TC M3.5X8
41	5263203CM	LEVER CHROMED
42	7812802	DOWEL M5
43	5960510.01	ASSEMBLY LEVER
44	7493021	GASKET (from 19.06.15)

**BEZZERA**

**STREGA**

TABLE 5  
STREGA



**BEZZERA**

**STREGA**

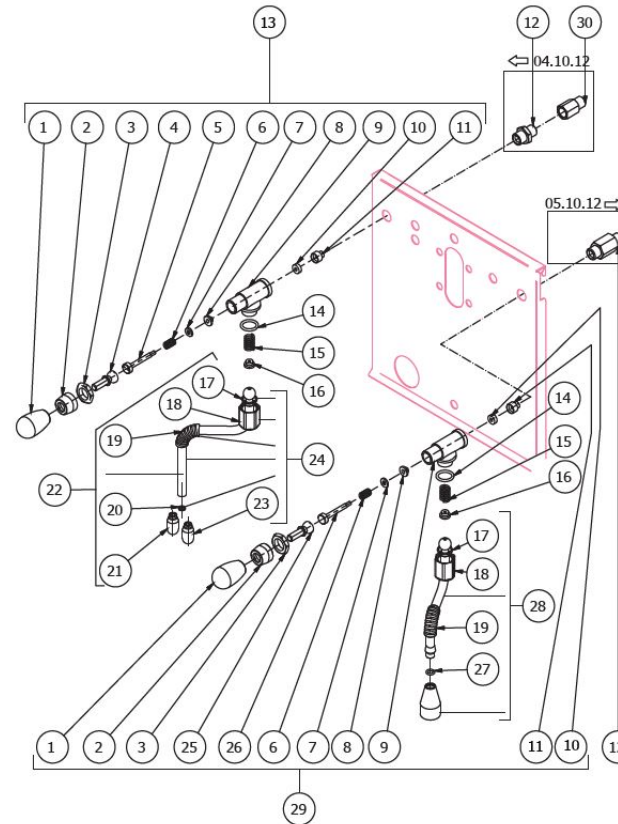
TABLE 6 - (up to 20/09/2011)  
STREGA

POS	CODE	DESCRIPTION
1	7371511.01	LEVER KNOB
2	5222823CM	RING NUT 3/8
3	5221826CM	NUT 3/8
4	5225610	ARTICULATION M8 INOX
5	5260204DL	SHAFT D12X47
6	5471513	SPRING
7	5261801	WASHER D11
8	5494004	GASKET D12 X 6 PTFE GRAPHITIZED
9	5283047TW	TAP BODY OT
10	5496042	GASKET D11X4X4 EPT 70 (C6)
11	5224603TP	GASKET-HOLDER
12	5225410TP	FITTING M14XM13 H26
12	5302079	FITTING M14XM13 (from 05.10.2012)
13	5964085AL	ASSEMBLY TAP
14	7496072	OR GASKET 121
15	5471532	SPRING
16	5190501	COMPLETE CUP
17	7496073	OR GASKET 115 EP856
18	5221872TW	NUT 3/8
19	7371003	INSULATING
20	7496083	OR GASKET D4.5X1.5 NBR 70
21	7305010	TERMINAL 4 HOLES
22	7479958	ASSEMBLY STEAM HOSE TERMINAL 4 HOLES
23	7305013	TERMINAL 2 HOLES
24	7479975	ASSEMBLY STEAM HOSE TERMINAL 2 HOLES
25	5225608	ARTICULATION M8 INOX
26	5260203DL	SHAFT D12X47
27	7496084	GASKET
28	7479959	ASSEMBLY WATER HOSE
29	5964084AL	ASSEMBLY TAP

**BEZZERA**

**STREGA**

TABLE 6 - (up to 20/09/2011)  
STREGA



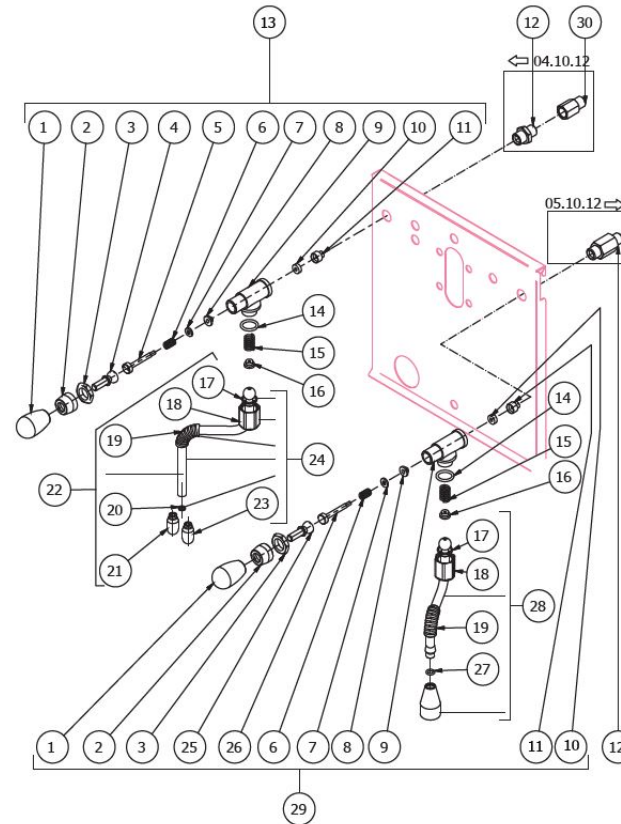
**BEZZERA****STREGA**

TABLE 6 - (up to 20/09/2011)  
STREGA

POS	CODE	DESCRIPTION
30	5302064	FITTING M/F M13x1

**BEZZERA****STREGA**

TABLE 6 - (up to 20/09/2011)  
STREGA





**BEZZERA**

**STREGA**

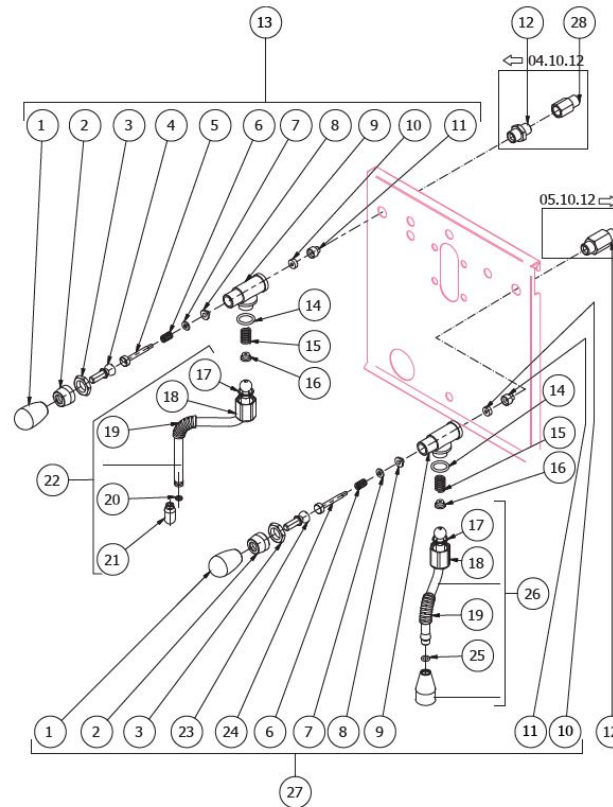
TABLE 6 - (up to 28/01/2014)  
STREGA

POS	CODE	DESCRIPTION
1	7371511.01	LEVER KNOB
2	5222823CM	RING NUT 3/8
3	5221826CM	NUT 3/8
4	5225610	ARTICULATION M8 INOX
5	5260204DL	SHAFT D12X47
6	5471513	SPRING
7	5261801	WASHER D11
8	5494004	GASKET D12 X 6 PTFE GRAPHITIZED
9	5283047TW	TAP BODY OT
10	5496042	GASKET D11X4X4 EPT 70 (C6)
11	5224603TP	GASKET-HOLDER
12	5302079	FITTING M14XM13 (from 05.10.2012)
12	5225410TP	FITTING M14XM13 H26
13	5964085AL	ASSEMBLY TAP
14	7496072	OR GASKET 121
15	5471532	SPRING
16	5190501	COMPLETE CUP
17	7496073	OR GASKET 115 EP856
18	5221872TW	NUT 3/8
19	7371003	INSULATING
20	7496084	GASKET
21	7305014	TERMINAL 2 HOLES
22	7479990TW	ASSEMBLY STEAM HOSE TERMINAL 2 HOLES
23	5225608	ARTICULATION M8 INOX
24	5260203DL	SHAFT D12X47
25	7496084	GASKET
26	7479985TW	ASSEMBLY WATER HOSE
27	5964084AL	ASSEMBLY TAP
28	5302064	FITTING M/F M13x1

**BEZZERA**

**STREGA**

TABLE 6 - (up to 28/01/2014)  
STREGA



**BEZZERA**

**STREGA**

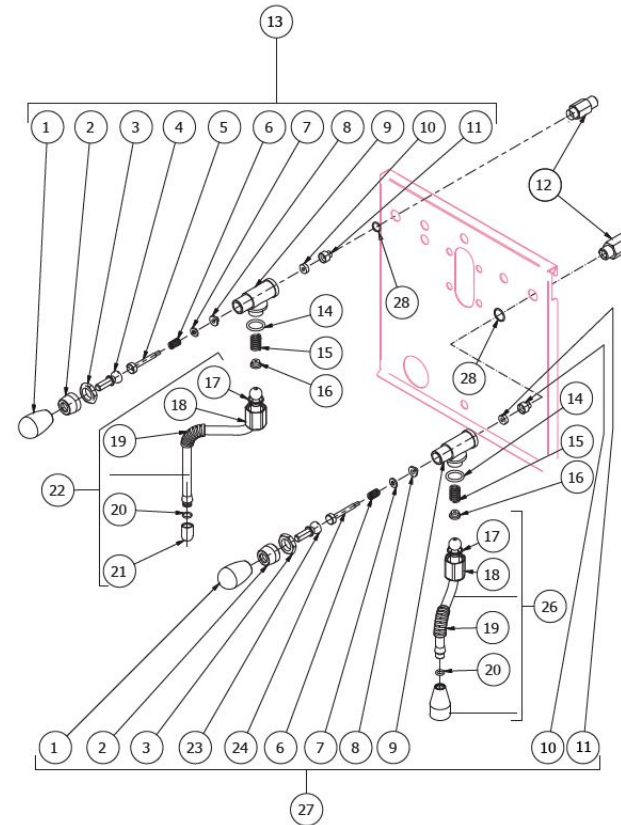
TABLE 6 - (from 29/01/2014 )  
STREGA

POS	CODE	DESCRIPTION
1	7371511.01	LEVER KNOB
2	5222823CM	RING NUT 3/8
3	5221826CM	NUT 3/8
4	5225610	ARTICULATION M8 INOX
5	5260204DL	SHAFT D12X47
6	5471513	SPRING
7	5261801	WASHER D11
8	5494004	GASKET D12 X 6 PTFE GRAPHITIZED
9	5283055TW	TAP BODY OT FOR OR
10	5496042	GASKET D11X4X4 EPT 70 (C6)
11	5224603TP	GASKET-HOLDER
12	5225417TP	FITTING M14XM13 WHIT OR
13	5964085.01AL	ASSEMBLY TAP WITH OR
14	7496072	OR GASKET 121
15	5471532	SPRING
16	5190501	COMPLETE CUP
17	5494017	OR GASKET 115 EP856
18	5221872TW	NUT 3/8
19	7371003	INSULATING
20	7496084	GASKET
21	7305014	TERMINAL 2 HOLES
22	7479990.01TW	ASSEMBLY STEAM HOSE TERMINAL 2 HOLES
23	5225608	ARTICULATION M8 INOX
24	5260203DL	SHAFT D12X47
26	7479985.01TW	ASSEMBLY WATER HOSE
27	5964084.01AL	ASSEMBLY TAP WITH OR
28	7496052	OR GASKET 114

**BEZZERA**

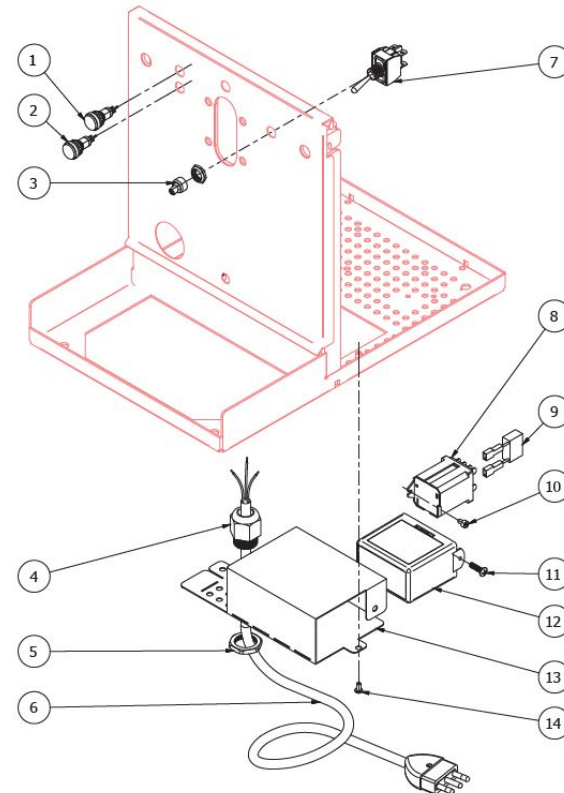
**STREGA**

TABLE 6 - (from 29/01/2014 )  
STREGA



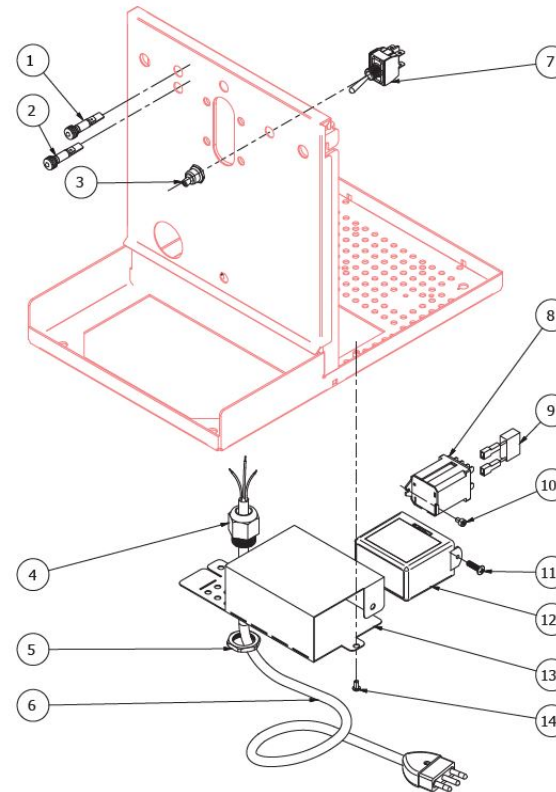
**BEZZERA****STREGA**TABLE 7 - (up to 01/03/2016)  
STREGA

POS	CODE	DESCRIPTION
1	7633622	GREEN LAMP 110/240V
2	7633621	ORANGE LAMP 110/240V
3	7372507	SWTCH PROTECTION PLASTIC
4	7614007	CABLE-PRESS PG13,5
5	7614006	NUT PG13,5
6	7551001	CABLE WITH USA PLUG 125V 15A
6	7551003	CABLE WITH USA PLUG 250V 20A
6	7555001	CABLE WITH SCHUKO PLUG
6	7554001	CABLE WITH ENGLISH PLUG
6	7552001	CABLE WITH AUSTRALIAN PLUG
6	7555003	CABLE WITH SWITZERLAND PLUG
7	7633326	BIPOLAR SWITCH LEVER
8	7635419	RELAY 16A 220/230V
8	7635420	RELAY 16A 240V
8	7635403	RELAY 30A 110V (only TOP version)
8	7635410	RELAY 30A 220/230V (only TOP version)
8	7635401	RELAY 30A 240V (only TOP version)
8	7635418	RELAY 16A 110V
9	7663005R	FILTER RC
10	7816017	SCREW TCEI M4X6
11	7819404	TAPPING SCREW TPS D4.8X16 UNI 6955 A2
12	7661043.01PR	LEVEL REGULATOR 3 PROBES 220/240V
12	7661033.02PR	LEVEL REGULATOR 3 PROBES 110/120V
13	5035709.01LL	ELECTRIC PARTS SUPPORT PLATE
13	5035718.01LL	ELECTRIC PARTS SUPPORT PLATE (only TOP version)
14	7819908	SCREW TTEI M4X8

**BEZZERA****STREGA**TABLE 7 - (up to 01/03/2016)  
STREGA

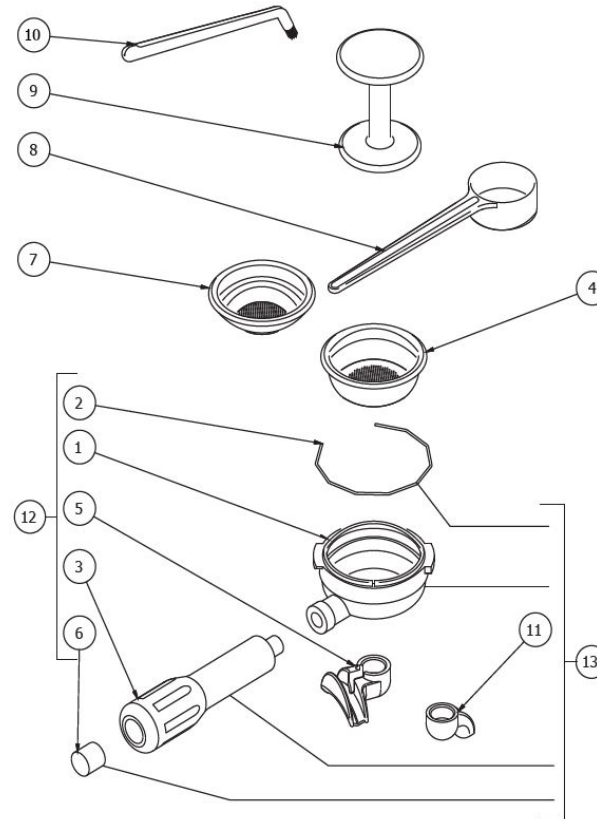
**BEZZERA****STREGA**TABLE 7 - (from 02/03/2016 )  
STREGA

POS	CODE	DESCRIPTION
1	7633624	GREEN LAMP
2	7633625	ORANGE LAMP
3	7372507	SWTCH PROTECTION PLASTIC
4	7614007	CABLE-PRESS PG13,5
5	7614006	NUT PG13,5
6	7551001	CABLE WITH USA PLUG 125V 15A
6	7551003	CABLE WITH USA PLUG 250V 20A
6	7555001	CABLE WITH SCHUKO PLUG
6	7554001	CABLE WITH ENGLISH PLUG
6	7552001	CABLE WITH AUSTRALIAN PLUG
6	7555003	CABLE WITH SWITZERLAND PLUG
7	7633326	BIPOLAR SWITCH LEVER
8	7635419	RELAY 16A 220/230V
8	7635420	RELAY 16A 240V
8	7635403	RELAY 30A 110V (only TOP version)
8	7635410	RELAY 30A 220/230V (only TOP version)
8	7635401	RELAY 30A 240V (only TOP version)
8	7635418	RELAY 16A 110V
9	7663005R	FILTER RC
10	7816017	SCREW TCEI M4X6
11	7819404	TAPPING SCREW TPS D4.8X16 UNI 6955 A2
12	7661043.01PR	LEVEL REGULATOR 3 PROBES 220/240V
12	7661033.02PR	LEVEL REGULATOR 3 PROBES 110/120V
13	5035709.01LL	ELECTRIC PARTS SUPPORT PLATE
13	5035718.01LL	ELECTRIC PARTS SUPPORT PLATE (only TOP version)
14	7819908	SCREW TTEI M4X8

**BEZZERA****STREGA**TABLE 7 - (from 02/03/2016 )  
STREGA

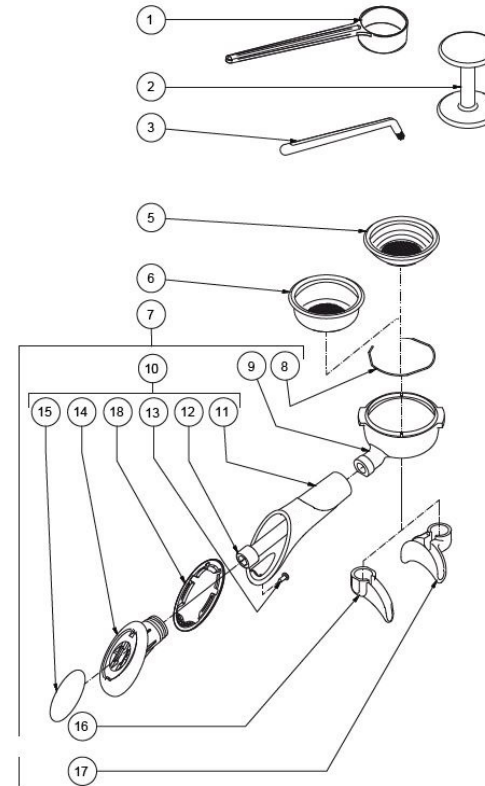
**BEZZERA****STREGA**TABLE 8 - (up to 02/12/2012)  
STREGA

POS	CODE	DESCRIPTION
1	5286017TW	FILTER-HOLDER
2	5471527	FILTER-HOLDER SPRING D1.2 AISI 302
3	7371502	KNOB POLISHED
4	5471026.01	FILTER 2 CUPS 14 GRAMS WITH RUN CHANNEL
4	5471035	FILTER 2 CUPS 16 GRAMS AISI 304 WITH RUN CHANNEL
4	5471021.01	FILTER 2 CUPS 12 GRAMS AISI 304 WITH RUN CHANNEL
5	7305007TW	SPOUT 2 WAY
6	5373915CM	KNOB CHROME CAP
7	5471031.01	FILTER 1 CUP 8 GRAMS WITH RUN CHANNEL
8	5372101	MEASURER
9	5373001	COFFEE-PRESS
10	7990603	CLEANING BRUSH
11	7305006TW	SPOUT 1 WAY
12	5965582R	ASSEMBLY FILTER-HOLDER 2 CUPS
13	5965581R	ASSEMBLY FILTER-HOLDER 1 CUP

**BEZZERA****STREGA**TABLE 8 - (up to 02/12/2012)  
STREGA

**BEZZERA****STREGA**TABLE 8 - (from 03/12/2012 )  
STREGA

POS	CODE	DESCRIPTION
1	5372101	MEASURER
2	5373001	COFFEE-PRESS
3	7990603	CLEANING BRUSH
5	5471031.01	FILTER 1 CUP 8 GRAMS WITH RUN CHANNEL
6	5471021.01	FILTER 2 CUPS 12 GRAMS AISI 304 WITH RUN CHANNEL
6	5471026.01	FILTER 2 CUPS 14 GRAMS WITH RUN CHANNEL
6	5471035	FILTER 2 CUPS 16 GRAMS AISI 304 WITH RUN CHANNEL
7	5965592.01R	ASSEMBLY FILTER-HOLDER 1 CUP
7	5965591.01R	ASSEMBLY FILTER-HOLDER 2 CUPS
8	5471527	FILTER-HOLDER SPRING D1.2 AISI 302
9	5286017TW	FILTER-HOLDER
10	5978508.01	KNOB
11	5371203	HANDLE
12	7816026	SCREW TCEI M12X60
13	7809810	SCREW TC M3.5X8
13	7809806	SCREW TC M 3.5X8 PLASTITE
14	5371204	PLUG CHROMED
15	5371205	PLATE WITH LOGO
16	7305006TW	SPOUT 1 WAY
17	7305007TW	SPOUT 2 WAY
18	7493021	GASKET (from 19.06.15)

**BEZZERA****STREGA**TABLE 8 - (from 03/12/2012 )  
STREGA



**BEZZERA**

Dal 1901

G. BEZZERA S.R.L.  
MACCHINE PER CAFFÈ ESPRESSO  
Via Luigi Bezzera, 1  
20088 Rosate - Milano - Italy  
Tel. ++39 02 90848102 r.a. - Telefax ++39 02 90870287  
Web: [www.bezzera.com](http://www.bezzera.com)  
e-mail: [admin@bezzera.it](mailto:admin@bezzera.it)