

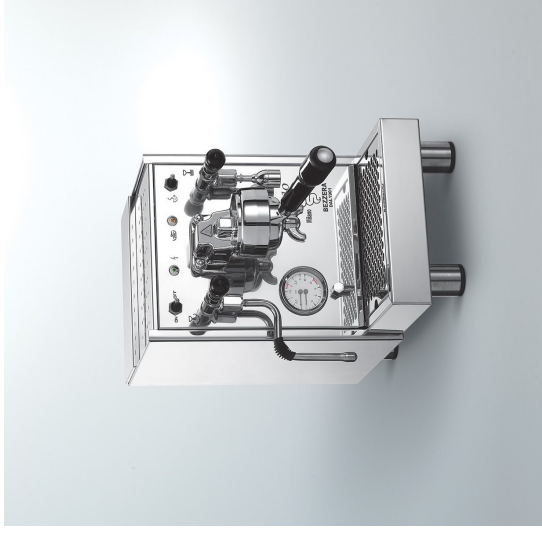
**BEZZERA**

Dal 1901

**BZ10**

**COD. 9942047.06**

**REV. 00 ed.09/21**



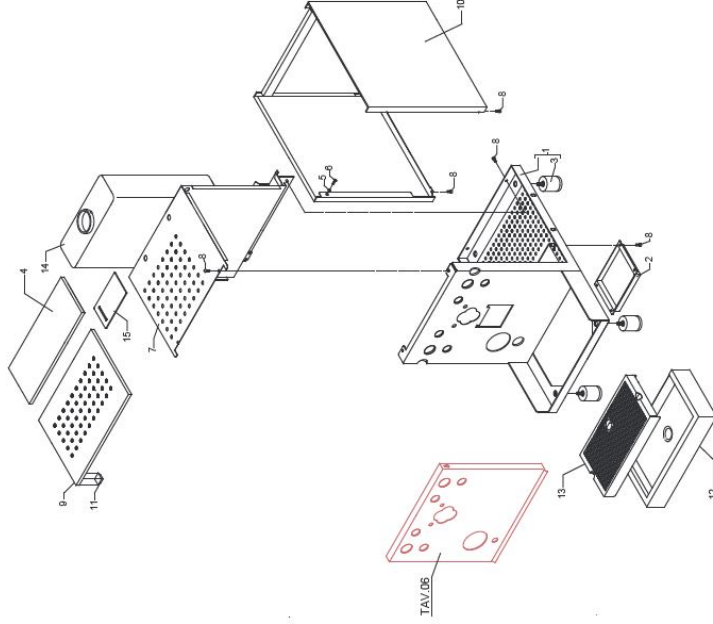
1 - COD.9942047.06 - REV.00 ed.09/21

2 - COD.9942047.06 - REV.00 ed.09/21

**BEZZERA**  
TABLE 1 - (up to 30/11/2015)  
BZ10

POS	CODE	DESCRIPTION
1	5964593.02	ASSEMBLY BLACK CHASSIS
2	5973102.01	HEATING ELEMENT PROTECTION
3	7474218	FEET M10 D40X46
4	5073020LW	TRAY COVER STAINLESS
5	5220818	BUSHING D10 X 4.2 OT
6	7817004	SCREW TFS M4X10 DIN 963 A2
7	5963068.02LL	TANK SUPPORT T.PID
8	7816004	SCREW TCEI M4 X 16
9	5074621LW	CUPS-HEATER GRID BZ07 BA
10	5071738LL	BODY STAINLESS STEEL POLISHED
11	7474217	ADHESIVE FEET 12.7 H5.8
12	5940510	DRIP TRAY
13	5074622LW	DRAIN GRID
14	7973009	TANK 3 LT. CAPACITY
15	5125705	SUPPORT

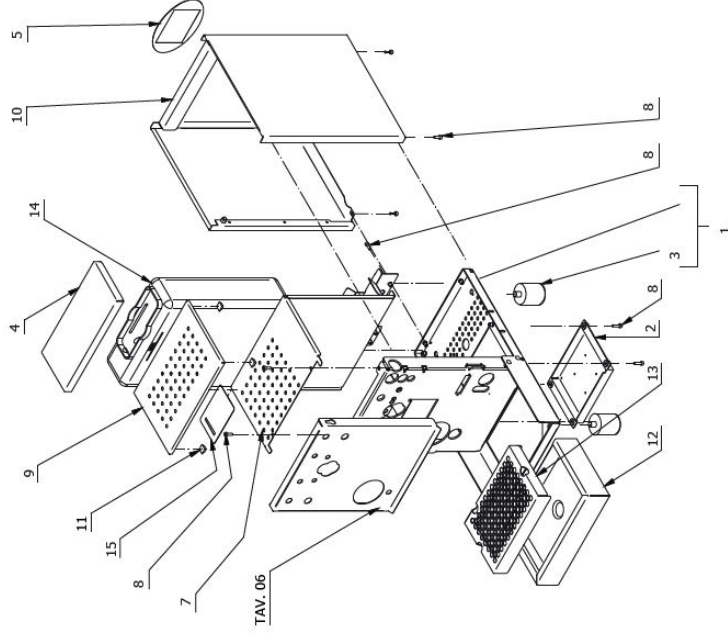
**BEZZERA**  
TABLE 1 - (up to 30/11/2015)  
BZ10



**BEZZERA**  
TABLE 1 - (up to 19/09/2019)  
BZ10

POS	CODE	DESCRIPTION
1	5964593.03	ASSEMBLY BLACK CHASSIS
2	5073102.01	HEATING ELEMENT PROTECTION
3	7474218	FEET M10 D40X46
4	5073020LW	TRAY COVER STAINLESS
5	5021512	L.ABLE
7	5963068.03LL	TANK SUPPORT
8	7916004	SCREW TCEI M4 X 16
9	5074621LW	CUPS-HEATER GRID BZ07 BA
10	5071738LL	BODY STAINLESS STEEL POLISHED
11	7474217	ADHESIVE FEET 12.7 H5.8
12	5340510	DRIP TRAY
13	5074622LW	DRAIN GRID
14	7573009	TANK 3 LT. CAPACITY
15	5125705	SUPPORT

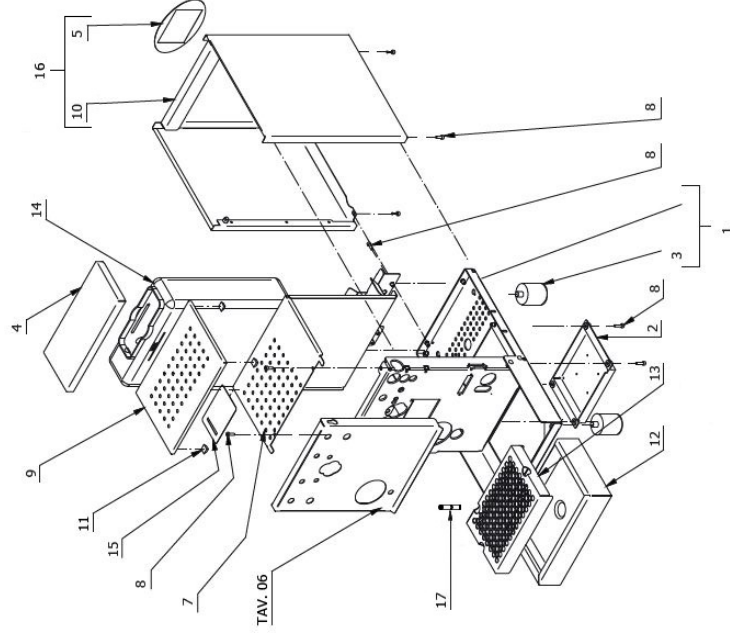
**BEZZERA**  
TABLE 1 - (up to 19/09/2019)  
BZ10



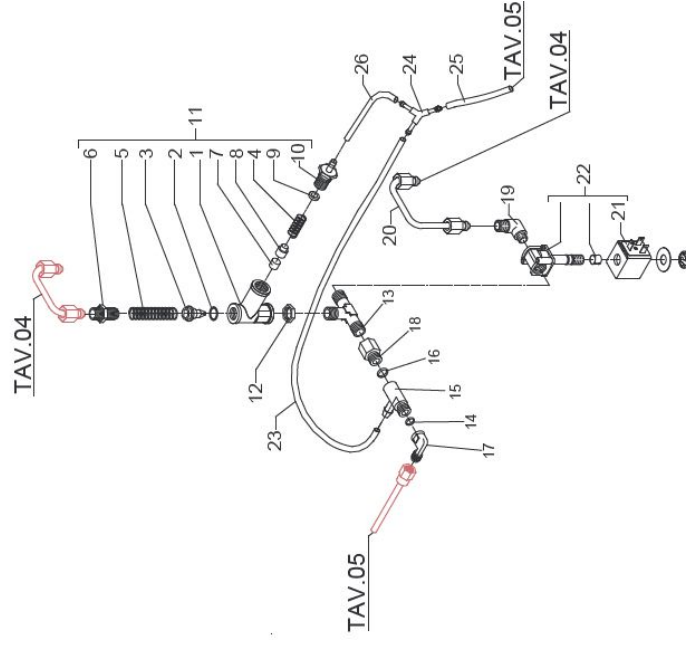
**BEZZERA**  
TABLE 1 - (from 20/09/2019 )  
BZ10

POS	CODE	DESCRIPTION
1	5964583.03	CHASSIS COMPLETE
2	5373102.01	HEATING ELEMENT PROTECTION
3	7474218	FEET M10 D40X46
4	5073020.01LW	TANK COVER BZ07 REDUCED
5	5521512	BEZZERA LABEL
7	5963068.03LL	TANK SUPPORT T.PID
8	7816004	SCREW TCE1M4X16 A2
9	5074621LW	CUPS-HEATER GRID BZ07 BA
10	5071733LL	BODY STAINLESS STEEL POLISHED
10	5054202LL1	GLOSS WHITE BODY WITH COMPASSES
10	5054202LL2	GLOSS RED BODY WITH COMPASSES
11	7474217	ADHESIVE FEET 12,7 H5,8
12	5340510	DRIP TRAY
13	5074622.01LW	DISCHARGE GRID SMALL SERIES BZ
14	7373009.01	TANK 3 LITERS
15	5125705	CONTACT MICRO PLATE TANK SUPPORT
16	5071733LLR	MIRROR BODYWORK W/LOGO + COMPASSES
16	5054202LL1R	WHITE BODYWORK W/LOGO + COMPASSES
16	5054202LL2R	GLOSS RED BODYWORK W/LOGO + COMPASSES
17	5262001	GRILL EXHAUST EXTENSION

**BEZZERA**  
TABLE 1 - (from 20/09/2019 )  
BZ10



POS	CODE	DESCRIPTION
1	5283049	SURPRESSION VALVE BODY
2	7496018	OR GASKET 105 VITON
3	52246151TP	GASKET-HOLDER
4	5471506.01	CALIBRATED SPRING D1 H26 AISI 302
5	5471505	SPRING
6	5302017TP	STRAIGHT FITTING M12 H26.5 OT
7	5493001	GASKET D8 X 4 EPT 70SH
8	52246191TP	GASKET-HOLDER
9	7496052	OR GASKET 114
10	5302072	RUBBER-HOLDER FITTING
11	5965165	ASSEMBLY SURPRESSION VALVE 12BAR
12	5221844	NUT 1/8"
13	7304514TR	FITTING
14	7496018	OR GASKET 105 VITON
15	7452512	VALVE
16	7496085	OR GASKET D7.2X1.9 NBR 70SH
17	7304507TR	UNION ELBOW 1/8"
18	5225411TP	FITTING 1/8"
19	5301504TR	UNION ELBOW 1/8"
20	5162303.01LL	BOILER LOAD HOSE
21	7630328	SOLENOID VALVE COIL 220/230V PARKER
21	7630327	SOLENOID VALVE COIL 110V PARKER
21	7630329	SOLENOID VALVE COIL 240V PARKER
22	7702310	SOLENOID VALVE 2 WAY 230V PARKER
22	7701111	SOLENOID VALVE 2 WAY 115V PARKER
22	7702409	SOLENOID VALVE 2 WAY 240V PARKER
23	5194586	HOSE 8X5 L=200 SILICONE
24	7303033	FITTING
25	5194610	HOSE 6X4 L=250 SILICONE
26	5194571	HOSE D6X4X1 L=200 SILICONE

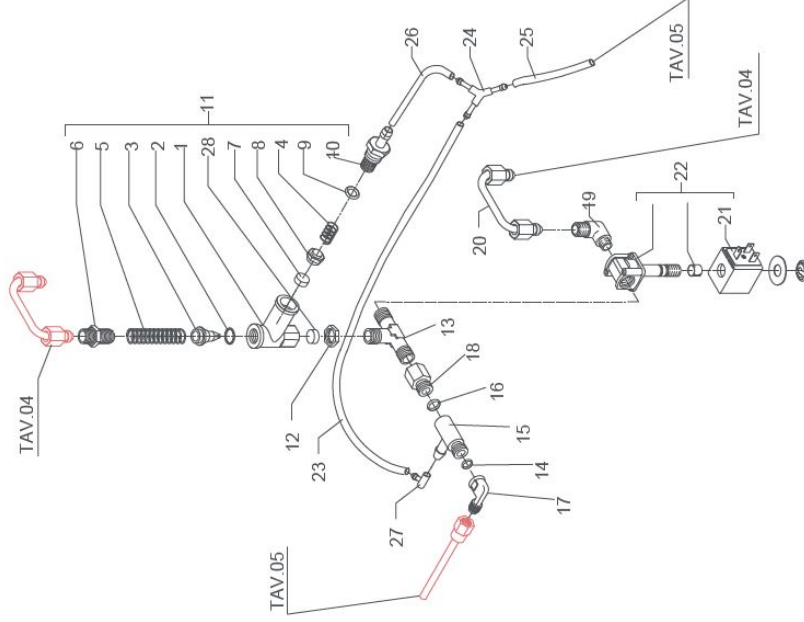


**BEZZERA**  
TABLE 2 - (up to 26/09/2019)  
BZ10

POS	CODE	DESCRIPTION
1	5283053TP	SUPPRESSION VALVE BODY
2	7496018	OR GASKET 105 VITON
3	5224615TP	GASKET-HOLDER
4	5471539	CALIBRATED SPRING D.1.6
5	5471505	SPRING
6	5302017TP	STRAIGHT FITTING M12 H28.5 OT
7	5493042	GASKET D.11X3
8	5224620TP	GASKET-HOLDER
9	7496052	OR GASKET 114
10	5302077TP	RUBBER-HOLDER FITTING
11	5965212.01AL	ASSEMBLY SUPPRESSION VALVE 12BAR
12	5221844	NUT 1/8"
13	7304514TR	FITTING
14	7496018	OR GASKET 105 VITON
15	7452512	VALVE
16	7496085	OR GASKET D7.2X1.9 NBR 70SH
17	7303034TR	UNION ELBOW 1/8"
18	7304507TR	UNION ELBOW 1/8"
19	5225411TP	FITTING 1/8"
20	5301504TR	UNION ELBOW 1/8"
21	5162903.01LL	SOLENOID VALVE COIL 220/230V PARKER
22	7630328	SOLENOID VALVE COIL 110V PARKER
23	7630327	SOLENOID VALVE COIL 240V PARKER
24	7630329	SOLENOID VALVE COIL 115V PARKER
25	7701111	SOLENOID VALVE 2 WAY 115V PARKER
26	7702409	SOLENOID VALVE 2 WAY 240V PARKER
27	7702310	SOLENOID VALVE 2 WAY 230V PARKER
28	5194571	HOSE DRX4X1 L=200 SILICONE
29	7303033	FITTING
30	5194610	HOSE 6X4 L=250 SILICONE

11 - COD.9942047.06 - REV.00 ed. 09/21

**BEZZERA**  
TABLE 2 - (up to 26/09/2019)  
BZ10

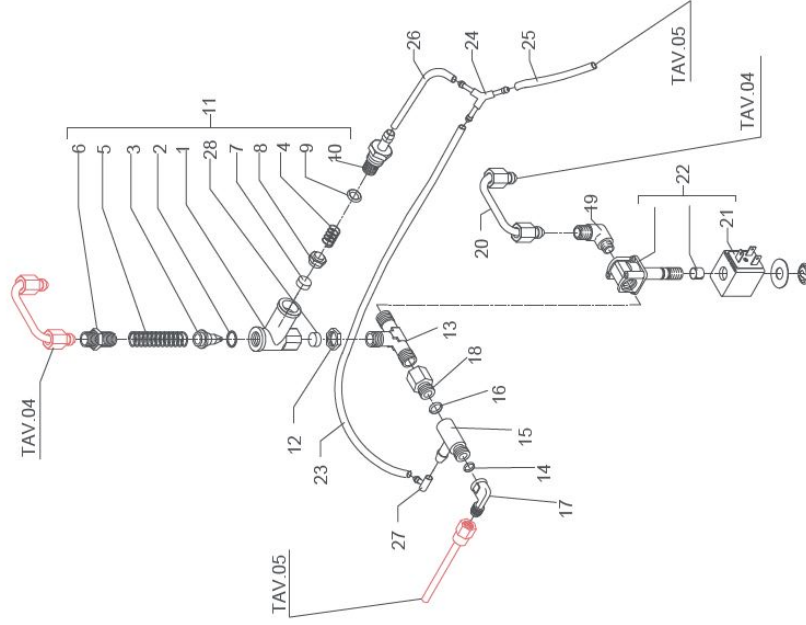


12 - COD.9942047.06 - REV.00 ed.09/21

**BEZZERA**  
 TABLE 2 - (up to 26/09/2019)  
 BZ10

POS	CODE	DESCRIPTION
26	5194571	HOSE D8x4x1 L=200 SILICONE
27	7303006	RUBBER-HOLDER FITTING
28	5471019	INOX WIRE FILER D8.5x5 AISI304

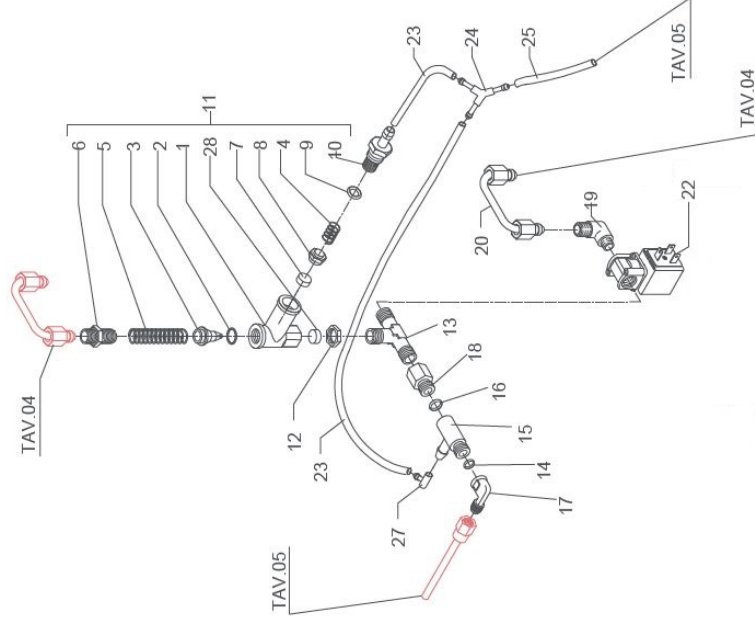
**BEZZERA**  
 TABLE 2 - (up to 26/09/2019)  
 BZ10



**BEZZERA**  
TABLE 2 - (from 27/09/2019 )  
BZ10

POS	CODE	DESCRIPTION
1	5283053TP	SURPRESSION VALVE BODY
2	7496018	OR GASKET 105
3	5224615AL	GASKET-HOLDER SURP. VALVE OT157USA
4	5471539	CALIBRATED SPRING D.1.6
5	5471505	CALIBRATED SPRING D0.45 H22 AISI302
6	5302017AL	FITTING M12 ES16 H26.5 OT157USA
7	5493042	GASKET D.11X3
8	5224620AL	GASKET-HOLDER ES. 12X6.8 OT157USA
9	7496052	OR GASKET 114 VITON
10	5302077AL	FITTING PORT. M14X1 OTXTUBO8X4 OT157USA
11	5965212.01AL	ASSY OPV ADJUST. 9/12 BAR
12	5221844	NUT 1/8
13	7304514TR	CONNECTOR TEE BRASS LEAD FREE
14	7496018	OR GASKET 105
15	7452516	SELF-PRIMING VALVE
16	7496085.01	GASKET OR D7.2X1.9 NBR 70SH
17	7303034TR	UNION ELBOW 1/8
18	5225411AL	REDUCTION 1/8
19	5301504AL	ELBOW FITTING M12X1/8
20	5162303.01LL	BOILER LOAD HOSE BZ07
22	7702322.01	EV.2WAY OLAB 250/230V 25BAR SMALL COIL
22	7701123.01	EV.2 WAY 110V 25BAR SMALL COIL
22	7702415.01	EV.2 WAY 240V 25BAR SMALL COIL
23	5194571	HOSE D6X4 L=200 SILICONE (R)
24	7303033	FITTING
25	5194610	HOSE 6X4 L=250 SILICONE
27	7303006	RUBBER-HOLDER FITTING
28	5471019	FILTER D8:5X5 AISI304

**BEZZERA**  
TABLE 2 - (from 27/09/2019 )  
BZ10

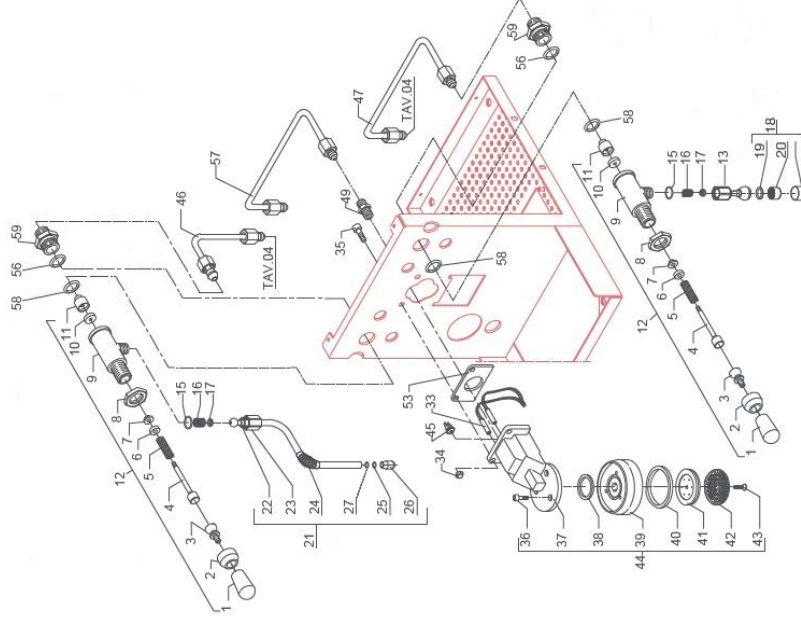




**BEZZERA** **BZ10**  
 TABLE 3 - (from 12/08/2020)  
 BZ10

POS	CODE	DESCRIPTION
1	7371511.01	BLACK LEVER KNOB 162240CM8
1	7372004	WOODEN KNOB
2	5222823CM	FERRULE 3/8
3	52251610	ARTICULATED JOINT M8
4	5260204DL	SHAFT D12X17 AISI303 POLISH
5	5471513	SPRING DB H17 AISI302
6	5261801	WASHER D11
7	5494004	GASKET D12 X 6 PTFE GRAPHITIZED
8	5221826CM	NUT 3/8
9	5263055TW	TAP BODY OT FOR OR
10	5496042	GASKET D11X14X4 EPT 70
11	5224603AL	GASKET HOLDER D12X12 OT157USA
12	5964085.01AL	BZ07 TAP COMPLETE WITHOUT HOOKING
12	5964101	ASSY TAP DUOMATRIX (WOOD)
13	5966568	WATER TUBE LINEAR SPHERE 14.3 WITHOUT AERATOR
15	5494021	NUT GASKET PTFE H=1.5
16	5471532.01	SPRING FOR ARTICULATION
17	5190501	CUP FOR FITTING PTFE/GLASS
18	5226601TW	WATER HOSE TERMINAL
19	5493003	GASKET D20.5X15 H1.5 NBR 70SH
20	5471037	ACETALIC AIR FILTER
21	7479990.03	STEAM TUBE TERMINAL 2 WAYS SPHERE 14.3
22	5494020	GLOBE GASKET 14.3 PTFE
23	5221872.01	LOOSEN NUT 3/8
24	7371004	STEAM PIPE PROTECTION
25	7496095	OR GASKET 6X1.2 EPDM70
26	5266609	STEAM TERMINAL 2 WAYS AISI303
27	7496096	GASKET OR. RED SILICONE
33	5963220.01	ASSY HEATING CARTRIDGE DOUBLE 110/120V 100W UL
33	5963182.01	UL

**BEZZERA** **BZ10**  
 TABLE 3 - (from 12/08/2020)  
 BZ10



POS	CODE	DESCRIPTION
34	5221863CM	CAP NUT M8 ES.14 H17 OT CHROMIED
35	7816014	SCREW M8X20 UNF5981 A2
36	7816001	SCREW TCEI M5X12 UNI 5931 A2
37	5283059TW-AL	BZ GROUP OT60-LF DENICROMAL
38	7496004.01	GASKET OR 139 VITON FDA
39	5280502TW-AL	COUPLING RING DENICROMAL
40	7496097	GASKET OR 55X8.1 NBR90SH PEROX ALI.
41	5285501.AL	SHOWER-HOLDER D57 H7.5 OT60LF
42	5470501	SHOWER D57 AISI 304
43	7809903	SCREWS POLIERS M5X16 A4 AISI316
44	5963574.03	ASSY BZ GROUP 110-120V
44	5963575.03	ASSY GROUP BZ NEW GASKET OR 220-240V
45	7634808	THERMAL SAFETY DEVICE 230V 95°C
46	5162301LL	STEAM TAP HOSE
47	5162310LL	COMPLETE WATER TAP LL008
49	7304502TR	STRAIGHT FITTING 1/8" G. OT
53	7483013	GASKET BZ07 GROUP
56	7814201	WASHER 14 DIN6798J A2
57	5162305LL	GROUP-SOLENOID VALVE HOSE
58	7496092	OR GASKET 114 VITON
59	5225416-01AL	FITTING M14XMT13 ES19 H31 WITHOUT OR

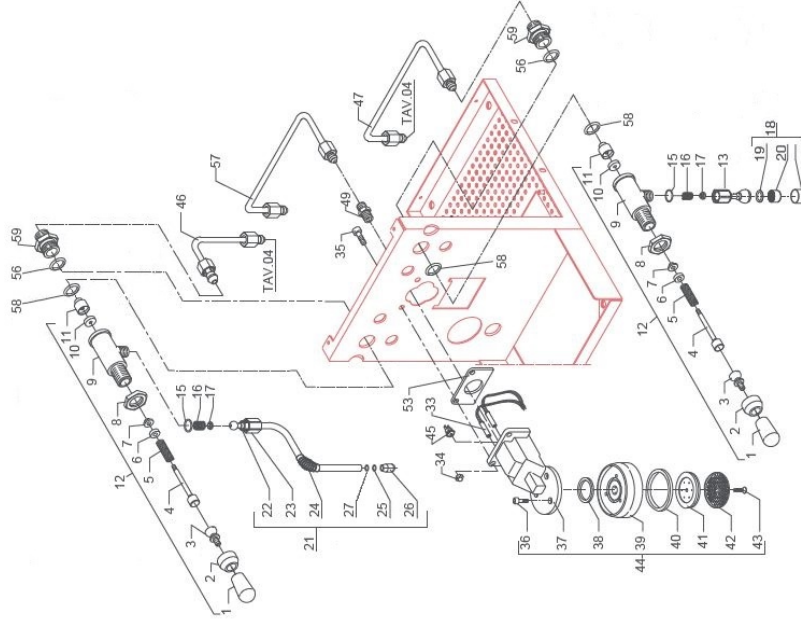


TABLE 3 - (up to 28/01/2014)

BZ10

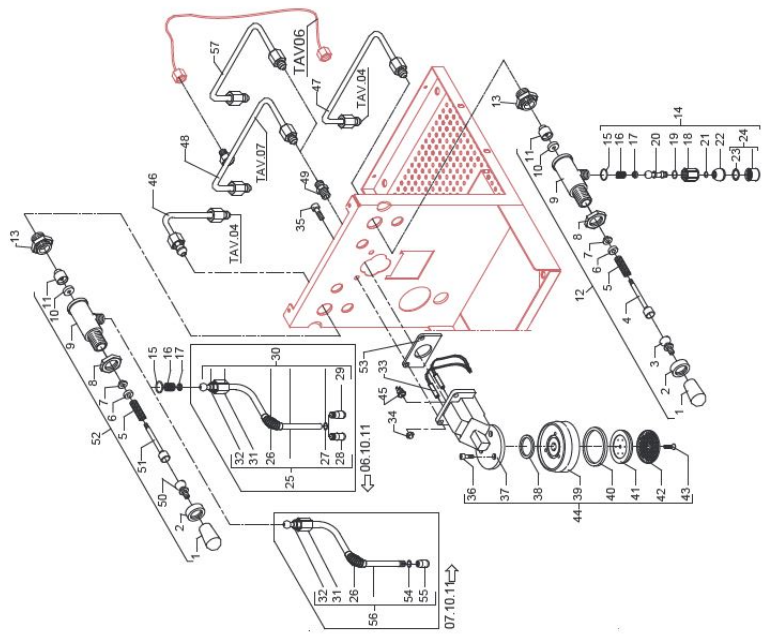


TABLE 3 - (up to 28/01/2014)

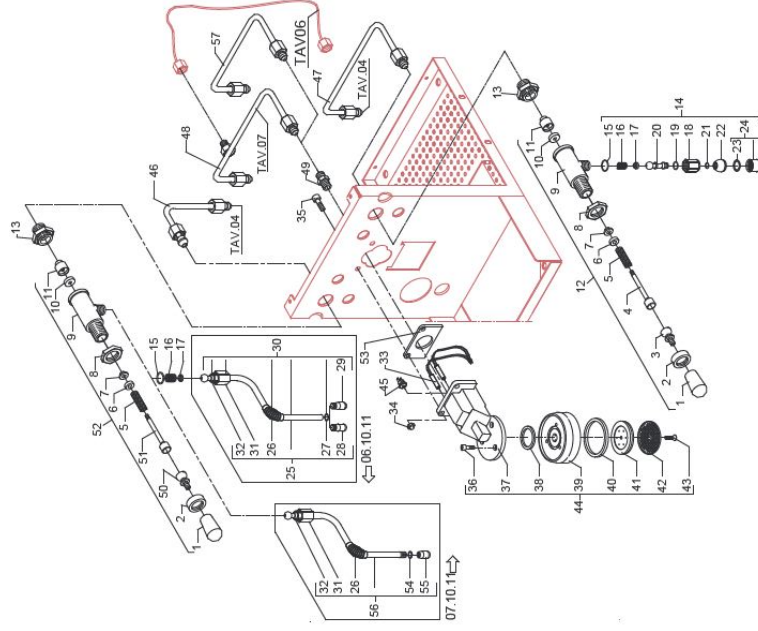
BZ10

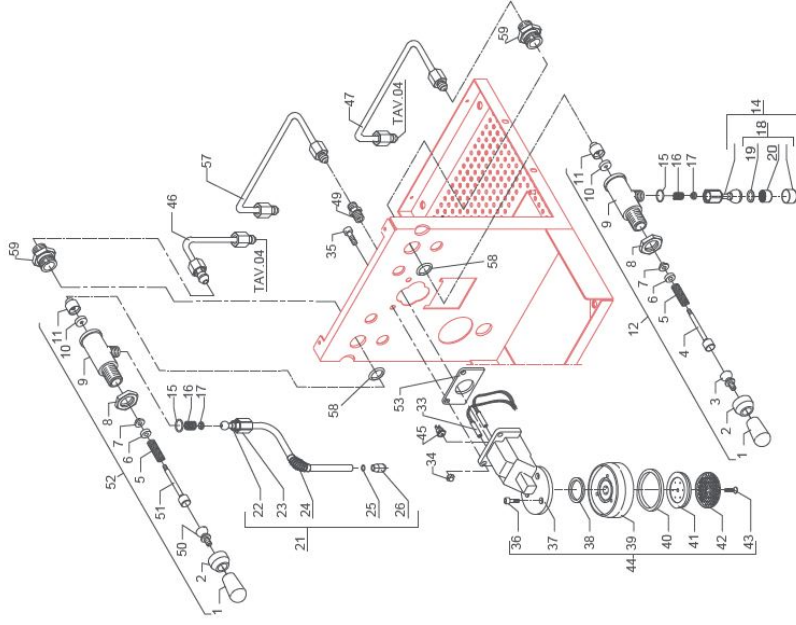
POS	CODE	DESCRIPTION
1	7371511.01	LEVER KNOB
2	5222823CM	RING NUT 3/8"
3	5225608	ARTICULATION M8 INOX
4	5260203DL	SHAFT D12X47
5	5471513	SPRING
6	5261801	WASHER D11
7	5494004	GASKET D12 X 6 PTFE GRAPHITIZED
8	5221826CM	NUT 3/8"
9	5283047TW	TAP BODY OT
10	5496042	GASKET D11X4X4 EPT 70 (C6)
11	5224603TP	GASKET-HOLDER
12	5994084AL	ASSEMBLY TAP
13	5225410TP	FITTING M14XM13 H26
15	7496072	OR GASKET 121
16	5471532	SPRING
17	5190501	COMPLETE CUP
18	5221872TW	NUT 3/8"
19	7496073	GASKET OR 115 EP856
20	5225607TW	WATER HOSE CHROMED
21	7496003	OR GASKET 108 VITON
22	5226610TW	WATER HOSE TERMINAL D23.5X18 OT CHROMED
23	5493003	GASKET D20.5X15 H1.5 NBR 70SH
24	5226601TW	WATER HOSE TERMINAL M22 CHROMED
25	7479568	ASSEMBLY STEAM HOSE TERMINAL 4 HOLES
26	7371003	INSULATING
27	7496083	OR GASKET D4.5X1.5 NBR 70
28	7395010	TERMINAL 4 HOLES
29	7305013	TERMINAL 2 HOLES
30	7479575	ASSEMBLY STEAM HOSE TERMINAL 2 HOLES
31	5221872TW	NUT 3/8"

**BEZZERA** **BZ10**  
 TABLE 3 - (up to 28/01/2014)  
 BZ10

POS	CODE	DESCRIPTION
32	7496073	GASKET OR 1.15 EP856
33	5965098.01	ASSEMBLY HEATING ELEMENT 220/240V
33	5965097.01	ASSEMBLY HEATING ELEMENT 110V
34	5221863CM	CAP NUT M8 CHROMED
35	7816014	SCREW M8X20 UNI5931 A2
36	7816001	SCREW TCEI M5X12 UNI5931 A2
37	5283046TW	DELIVERY GROUP BODY
38	7496004	OR GASKET 139
39	5280502TW	COUPLING RING LOT CHROMED
40	7495016	GASKET H 9.3 NBR 75SH
41	5285501TP	SHOWER-HOLDER D57
42	5470501	SHOWER D57 AISI 304
43	7817001	SCREW TPS M5X16 A2
44	5965548.01AL	ASSEMBLY DELIVERY GROUP
45	7634808	THERMIC SAFETY DEVICE 250V 95°C AUTOMATIC
46	5162301LL	STEAM TAP HOSE
47	5162310LL	WATER TAP HOSE
48	5162309LL	GROUP-SOLENOID VALVE HOSE WHIT DUAL GAUGE SCALE
49	7304502TR	STRAIGHT FITTING 1/8
50	5225610	ARTICULATION M8 INOX
51	5280204DL	SHAFT D12X47
52	5964085AL	ASSEMBLY TAP
53	7493013	INSULATING
54	7496084	GASKET
55	7305014	TERMINAL 2 HOLES
56	7479990TW	ASSEMBLY STEAM HOSE TERMINAL 2 HOLES
57	5162305LL	GROUP-SOLENOID VALVE HOSE (from 01.01.12)

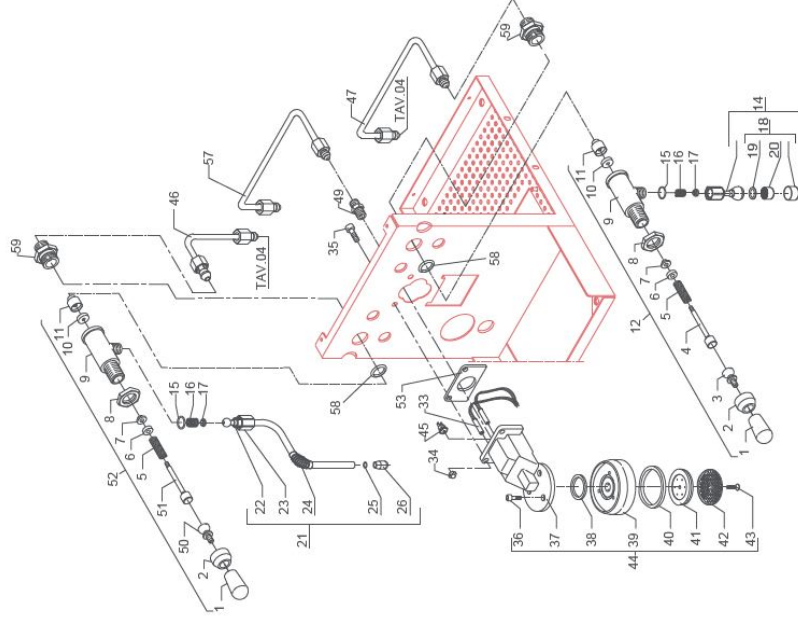
**BEZZERA** **BZ10**  
 TABLE 3 - (up to 28/01/2014)  
 BZ10





POS	CODE	DESCRIPTION
1	7371511.01	LEVER KNOB
2	5222823CM	RING NUT 3/8"
3	5225608	ARTICULATION M8 INOX
4	5260203DL	SHAFT D12X47
5	5471513	SPRING
6	5261601	WASHER D11
7	5494004	GASKET D12 X 6 PTFE GRAPHITIZED
8	5221826CM	NUT 3/8"
9	5283055TW	TAP BODY OT FOR OR
10	5496042	GASKET D11X44 EPT 70 (C8)
11	5224603TP	GASKET-HOLDER
12	5964084.01AL	ASSEMBLY TAP WITH OR
14	5966548.02AL	ASSEMBLY WATER HOSE
15	7496072	OR GASKET 121
16	5471532	SPRING
17	5190501	COMPLETE CUP
18	5226601TW	WATER HOSE TERMINAL M22 CHROMED
19	5493003	GASKET D20.5X15 H1.5 NBR 70SH
20	7999918	JET-BREAKER AERATOR CARTRIDGE
21	7479990.01TW	ASSEMBLY STEAM HOSE TERMINAL 2 HOLES
22	5494017	OR GASKET 115 EP856
23	5221872TW	NUT 3/8"
24	7371003	INSULATING
25	7496084	GASKET
26	7395014	TERMINAL 2 HOLES
33	5963098.01	ASSEMBLY HEATING ELEMENT 220/240V
33	5963097.01	ASSEMBLY HEATING ELEMENT 110V
34	5221863CM	CAP NUT M8 CHROMED
35	7816014	SCREW M8X20 UNI5931 A2
36	7816001	SCREW TCEI M5X12 UNI5931 A2

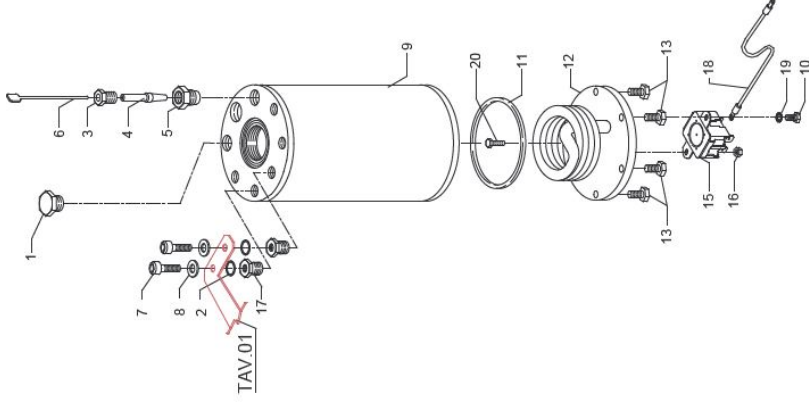
POS	CODE	DESCRIPTION
37	5283046TW	DELIVERY GROUP BODY
38	7496004	OR GASKET 139
39	5280502TW	COUPLING RING OT CHROMED
40	7496097	OR GASKET 55X8 NBR
41	5285501TP	SHOWER-HOLDER D57
42	5470501	SHOWER D57 AISI 304
43	7817001	SCREW TPS M5X16 A2
44	5963548.02AL	ASSEMBLY DELIVERY GROUP
45	7634808	THERMIC SAFETY DEVICE 250W 95-C AUTOMATIC
46	5162301LL	STEAM TAP HOSE
47	5162310LL	WATER TAP HOSE
49	7304502TR	STRAIGHT FITTING 1/8
50	5225610	ARTICULATION M8 INOX
51	5260204DL	SHAFT D12X47
52	5964085.01AL	ASSEMBLY TAP WITH OR
53	7483013	INSULATING
57	5162305LL	GROUP-SOLENOID VALVE HOSE (from 01.01.12)
58	7496052	OR GASKET 114
59	5225416TP	FITTING M14X1 WHIT OR



**BEZZERA** **BZ10**  
 TABLE 4A - (up to 08/04/2019)  
 BZ10

POS	CODE	DESCRIPTION
1	52264051TP	PLUG 1/4"
2	7492003	GASKET D6.5
3	5225205	STRAIGHT FITTING M10 OT
4	5192001	PROBE SHEATH D8 X 45 HOLE D3 PTFE
5	52252001TP	STRAIGHT FITTING 1/4"
6	5265804	LEVEL PROBE 1GR D3 X 110 X 6.3
7	7816002	SCREW TCEI M4X12
8	7825003	WASHER D6X1 UNI 6592 OT
9	5320520.01TP-AL	BOILER
10	7816409	SCREW TE M4X8 UNI 5739 A2
11	7496040	OR GASKET D73 X 3 VITON
12	5721007AL	HEATING ELEMENT V100 W1200
12	5722235.01AL	HEATING ELEMENT 220/240V W1100-1300
12	5721128AL	HEATING ELEMENT V110/120 W1200
13	7816422	SCREW TE M6X14 UNI 5739 OT
15	7634819	THERMIC SAFETY DEVICE 250V 130°C
16	7822803	NUT M4
17	5226411TP	PLUG 1/8"
18	7663573	GROUND WIRE
19	7814001	WASHER D4 DIN 6798A A2
20	7826402	SCREW TE M4X16 UNI 5739 OT

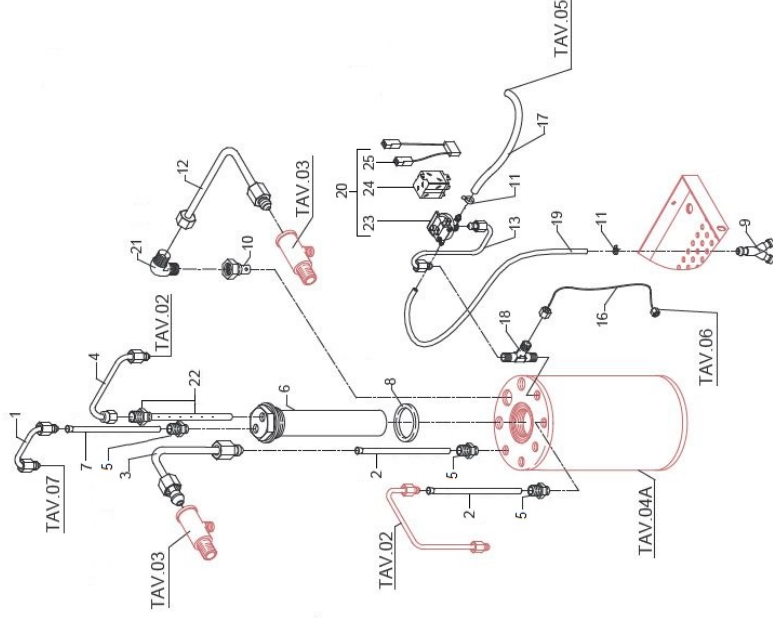
**BEZZERA** **BZ10**  
 TABLE 4A - (up to 08/04/2019)  
 BZ10



BEZZERA  
TABLE 4 - (from 09/12/2019 )  
BZ10

POS	CODE	DESCRIPTION
1	5162185.02LL	EXCHANGER TUBE/EV.GROUP
2	5192301	SUCTION D6X1 L=130MM PTFE
3	5162310LL	COMPLETE WATER TAP LL008
4	5162304LL	EXCHANGER CHARGE PIPE OF BZ07
5	5302006AL	FITTING M12X11/8
6	5329019DC-AL	EXCHANGER 2 HOLES L=140 BZ-STREGA
7	5192324	DRAW OUT D6X1 L=100 PTFE
8	5492025	GASKET D42X32X2 PTFE
9	7393033	FITTING
10	5302070AL	FITTING 3/8
11	7611504	CLAMP 2.4
12	5162301LL	STEAM TAP HOSE
13	5162203.02LL	PRESSOSTAT PIPE FOR BZ07
16	7400911	BOILER CAPILL.
17	5194616	HOSE 5X3 L=500 SILICONE
18	73945141TR	CONNECTOR TEE BRASS LEAD FREE
19	5194549	HOSE Ø 8x5 SILICONE L=350
20	7433020	PRESSOSTAT COMPOUND 110V
20	7433021	PRESSOSTAT COMPLETE 230V BZ07-GAL.
20	7433022	BZ07-GALATEA DOMUS PRESSURE GAUGE
21	53015061TR	UNION ELBOW M13X1/4
22	5963186	ASSY INJECTOR 150MM 8HOLES W/ FITTING
23	7433012	PRESSOSTAT XP110+C110P 1.2BAR 15A
24	7635418	RELAY FINDER 110V 16A
24	7635419	RELAY 16A 220/230V
24	7635420	RELAIS FINDER 240V 16A 8 PINS
25	7663012	NOISE FILTER RC 0.22MF 100 0HM UL

BEZZERA  
TABLE 4 - (from 09/12/2019 )  
BZ10





POS	CODE	DESCRIPTION
1	5162185.01LL	EXCHANGER-GROUP SOLENOID VALVE HOSE
2	5192301	SUCTION HOSE D6 L=130MM PTFE
3	5162310LL	WATER TAP HOSE
4	5162304LL	EXCHANGER LOAD HOSE
5	7304502TR	STRAIGHT FITTING 1/8"
6	5320019DC-AL	ASSEMBLY EXCHANGER HOSE POLISHED
7	5302006TP	STRAIGHT FITTING 1/8"
8	5495007	GASKET D32 X 3 BRASS
9	7303033	FITTING
10	5302070TP	FITTING 3/8"
11	7611504	CLAMP
12	5162301LL	STEAM TAP HOSE
13	5162203.02LL	PRESSURE SWITCH HOSE
14	7433016R	PRESSOSTAT + RELAY KIT 110V (up to 16.03.10)
14	7433017R	PRESSOSTAT + RELAY KIT 230V (up to 26.05.10)
14	7433018R	PRESSOSTAT + RELAY KIT 240V (up to 26.05.10)
15	7611504	CLAMP
16	7400901	PRESSURE GAUGE CAPILLARY
17	5194516	HOSE 5X3 L=500 SILICONE
18	7304514TR	FITTING
19	5194549	HOSE D8X5 L=360 SILICONE
20	7433020	PRESSOSTAT COMPOUND 110V (from 17.03.10)
20	7433021	PRESSOSTAT COMPOUND 230V (from 27.05.10)
20	7433022	PRESSOSTAT COMPOUND 240V (from 27.05.10)
21	5301506TR	UNION ELBOW M13X1/4

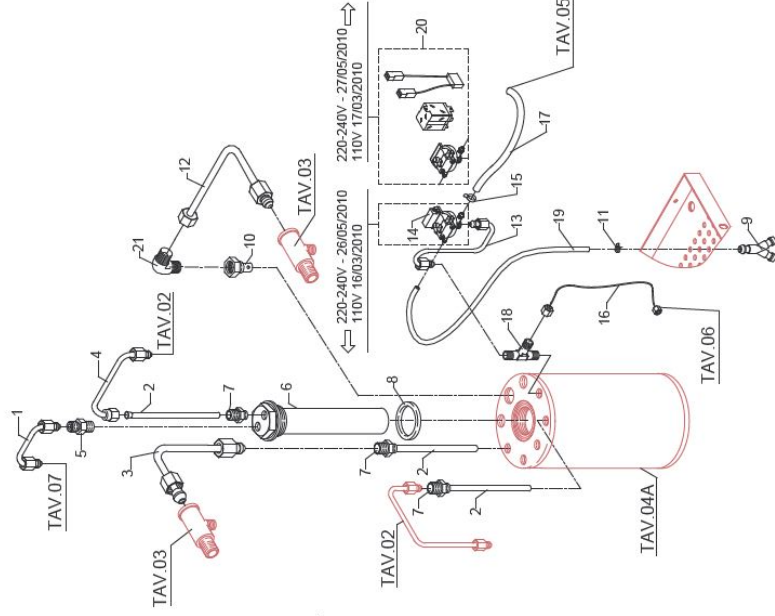


TABLE 4A - (from 09/04/2019)

BZ10

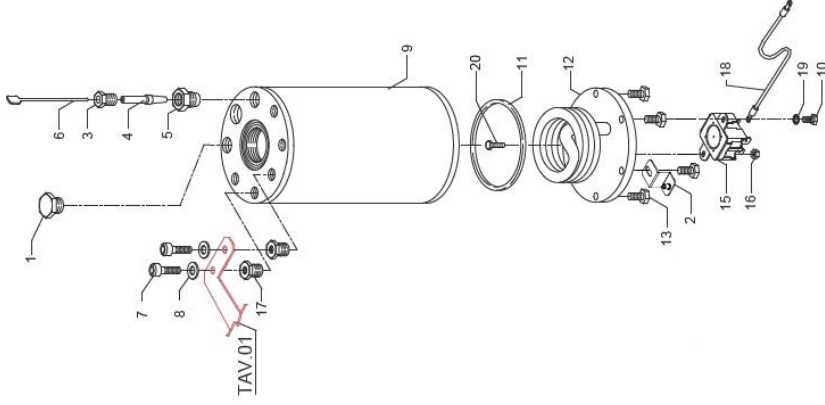
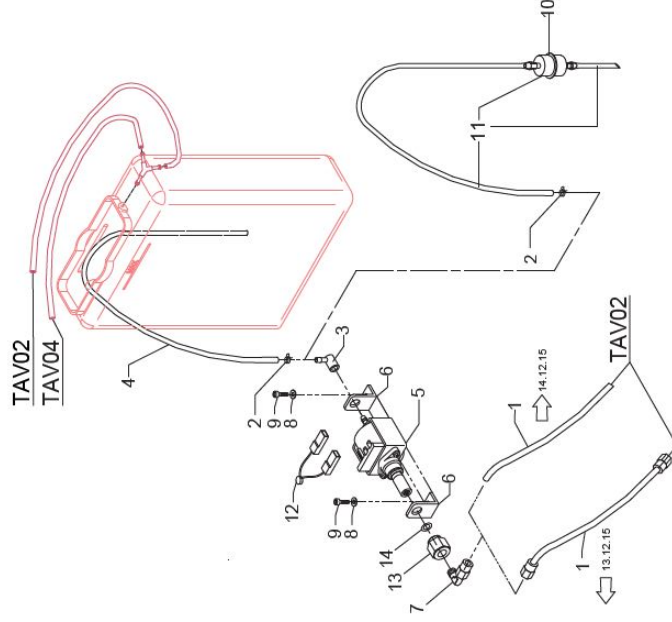


TABLE 4A - (from 09/04/2019)

BZ10

POS	CODE	DESCRIPTION
1	5226405AL	PLUG 1/4
2	5058474LL	BOILER SUPPORT
3	5225205	STRAIGHT FITTING M10 OT
4	5192001	PROBE SHEATH D8 X 45 HOLE D3 PTFE
5	5225209AL	FITTING M10X1/4
6	5265804	LEVEL PROBE D3 X 110 X 6.3
7	7816009	SCREW TCEI M4X10 UNI 5831A2
8	7825003	WASHER D5X1 UNI 6592 OT
9	5320520.01BL-AL	BOILER BZ07 WITHOUT LEAD AND NICKEL
10	7816409	SCREW TE M4X8 UNI 5739 A2
11	7496040	OR GASKET D73 X 3 VITON
12	5721007AL	HEATING ELEMENT 100V 1200W
12	5721128.01AL	HEATING ELEMENT 120V 1200W
12	5722239.01AL	HEATING ELEMENT 220/240V-1100/1300W
13	7816422	SCREW TE M6X14 UNI 5739 OT
15	7634819.01	THERMIC PROTECTION 250V 130°C FASTON 90°
16	7822803	NUT M4 OT
17	5226411TP	PLUG 1/8
18	7663573	GROUND WIRE
19	7814001	WASHER D4 DIN 6798A A2
20	7826402	SCREW TE M4X16 UNI 5739 OT

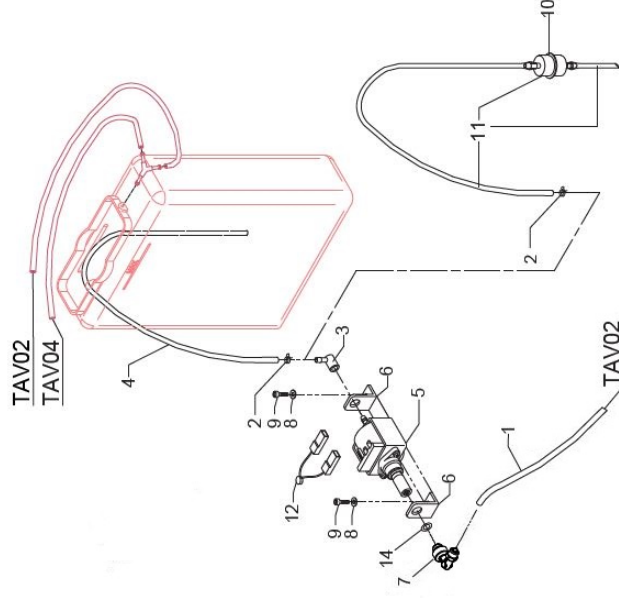
POS	CODE	DESCRIPTION
1	5194631.01R	PUMP-SOLENOID VALVE HOSE (up to 13.12.15)
1	5194635	PUMP-SOLENOID VALVE HOSE (from 14.12.15)
2	7611516	CLAMP
3	7303006	RUBBER-HOLDER FITTING
4	5194582	HOSE 8X5 L=750 SILICONE
5	7731018	VIBRATION PUMP EX5 100V C/OR
5	7731022	VIBRATION PUMP EX5 220V 60HZ WITH OR
5	7731020	VIBRATION PUMP EX5 230V WITH OR
5	7731019	VIBRATION PUMP EX5 120V WITH OR
5	7731021	VIBRATION PUMP EX5 240V WITH OR
6	7470602	VIBRATION-DAMPING
7	7303042TR	UNION
8	7805009	PLAIN WASHER D5 X 11 X 1
9	7816004	SCREW TCEI M4 X T6
10	7374015	FILTER
11	5194582R	HOSE WITH FILTER
12	7634616	THERMIC SAFETY DEVICE 100°C AUTOMATIC
13	5225418TP	FITTING 1/8"
14	7496018	OR GASKET 105 VITON



BEZZERA  
TABLE 5 - (from 17/10/2019)  
BZ10

POS	CODE	DESCRIPTION
1	5194635	PUMP-SOLENOID VALVE HOSE(FROM 14.12.15)
2	7611516	CLAMP 10086
3	7303006	RUBBER-HOLDER FITTING
4	5194582	HOSE 8X5 L=750 SILICONE
5	7731023.01	VIBRATION PUMP OL PLUS 230V 50HZ OT157
5	7731024.01	VIBRATION PUMP PLUS 120V 60HZ OT157
5	7731026.01	VIBRATION PUMP OL PLUS 220V 50/60HZ
5	7731027.01	VIBRATION PUMP PLUS 240V 50HZ OT157
6	7470602	VIBRATION-DAMPING
7	7303068R	ELBOW FITTING M178
8	7815003	PLAIN WASHER D5 UNI 6592 A2
9	7816004	SCREW TCEI M4X16 A2
10	7374015	WATER FILTER 200 MICRON
11	5194582R	WATER SOFTENER KIT BZ GROUP MODELS
12	7634816	THERMIC SAFETY DEV.AUT.PUMP 100°
14	7486023	GASKET OR 106 VITON

BEZZERA  
TABLE 5 - (from 17/10/2019)  
BZ10

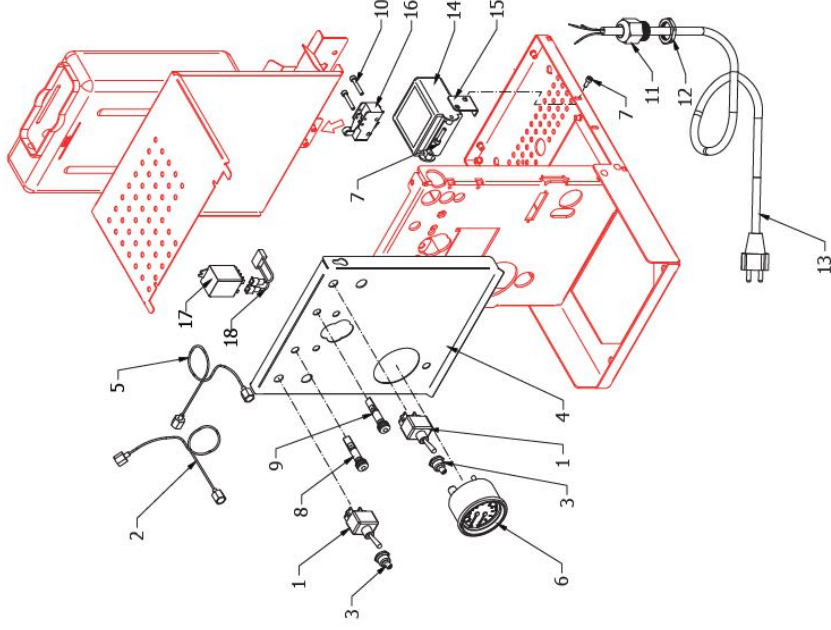


**BEZZERA**  
TABLE 6 - (up to 02/06/2021)  
BZ10

POS	CODE	DESCRIPTION
1	7633326	BIPOLAR SWITCH LEVER
2	7400902	BOYLER-MANOMETER CAPILLARY
3	7372507	SWITCH PROTECTION PLASTIC GROUP FRONTAL
4	5074449.01SG	PRESSURE GAUGE CAPILLARY
5	7400901	PRESSURE GAUGE D80 DOUBLE SCALE
6	7432524	SCREW TE. M4X16 UNI 5739 OT
7	7828402	GREEN LAMP
8	7633624	ORANGE LAMP
9	7633625	SCREW T1E1M4X25
10	7819911	CABLE-PRESS PG13.5
11	7614007	NUT PG13.5
12	7614006	CABLE WITH SCHUKO PLUG
13	7555001	CABLE WITH USA PLUG 125V 15A
13	7551001	CABLE WITH USA PLUG 250V 20A
13	7551003	CABLE WITH AUSTRALIAN PLUG
13	7552001	CABLE WITH SWITZERLAND PLUG
13	7555003	CABLE WITH ENGLISH PLUG
13	7554001	LEVEL REGULATOR 1S 110V
14	7661037PR	LEVEL REGULATOR 1S 220V/240V
14	7661036.01PR	LEVEL REGULATOR SUPPORT
15	9059433LL	MICROSWITCH
16	7633907	RELAY 16A 110V
17	7635418	RELAY 16A 220/230V
17	7635419	RELAY 16A 240V
17	7635420	FILTER RC
18	7663005R	

41 - COD.9942047.06 - REV.00 ed. 09/21

**BEZZERA**  
TABLE 6 - (up to 02/06/2021)  
BZ10

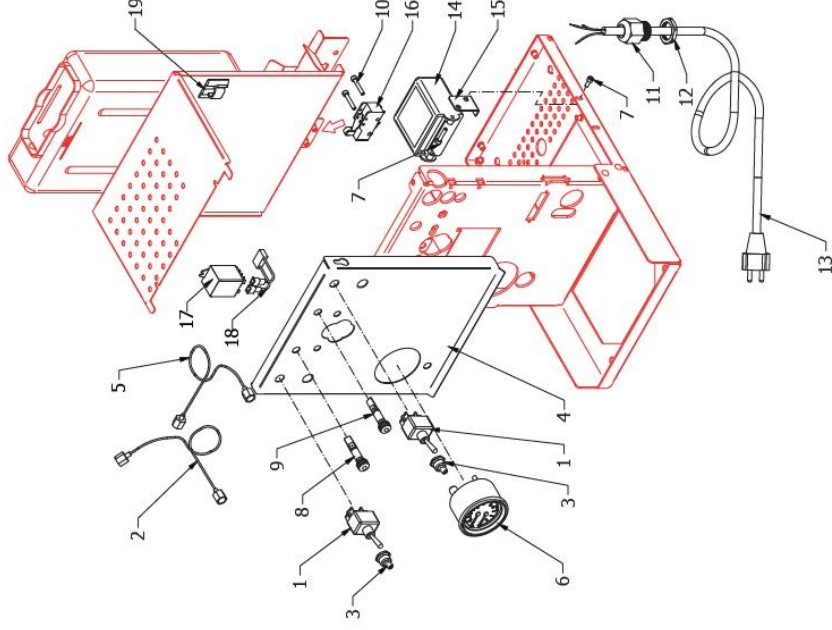


42 - COD.9942047.06 - REV.00 ed.09/21

**BEZZERA**  
TABLE 6 - (from 03/06/2021 )  
BZ10

POS	CODE	DESCRIPTION
1	7633326	BIPOLAR SWITCH LEVER
2	7400903	BOILER PRESSURE GAUGE CAPILLARY
3	7372507	PROTECTION WITH NICKEL NUT IU0598
4	5074449.02SG	FRONT GROUP BZ10 PM
5	7400911	BOILER CAPILL
6	7425224	PRESSURE GAUGE D60 DOUBLE SCALE 1/8
7	7826402	SCREW TE M4X16 UNI 5739 OT
8	7633624	GREEN LAMP
9	7633625	ORANGE LAMP
10	7633907	MICROSWITCH G31 L
11	7614007	FAIRLEAD WITH HOLE RUBBER
12	7614006	NUT PG13.5
13	7555001	ELECTRIC CABLE WITH SHUKO PLUG
13	7551001	ELECTRIC CABLE WITH USA PLUG L=1.5M
13	7551003	CABLE WITH USA PLUG 250V 20A
13	7552001	ELECTRIC CABLE WITH AUSTRALIAN PLUG
13	7555003	SWISS PLUG CABLE H05VV-F 3X1.5 10A
13	7554001	ELECTRIC CABLE WITH ENGLISH PLUG
13	7553001	CABLE ISRAELE PLUG H05VV-F 3G1.5M
14	7661006R	LEVEL REGULATOR 100/120V 50/60HZ
14	7661007R	LEVEL REGULATOR 220/240V 50/60HZ
15	5058433LL	LEVEL REGULATOR SUPPORT
16	7819911	SCREW TTEI M4X25 INOX
17	7635418	RELAY FINDER 110V 16A
17	7635419	RELAY 16A 220/230V
17	7635420	RELAYS FINDER 240V 16A 8 PINS
18	7663012R	FILTER RC 0.22MF 100 OHM UL
19	7611517	CLAMP

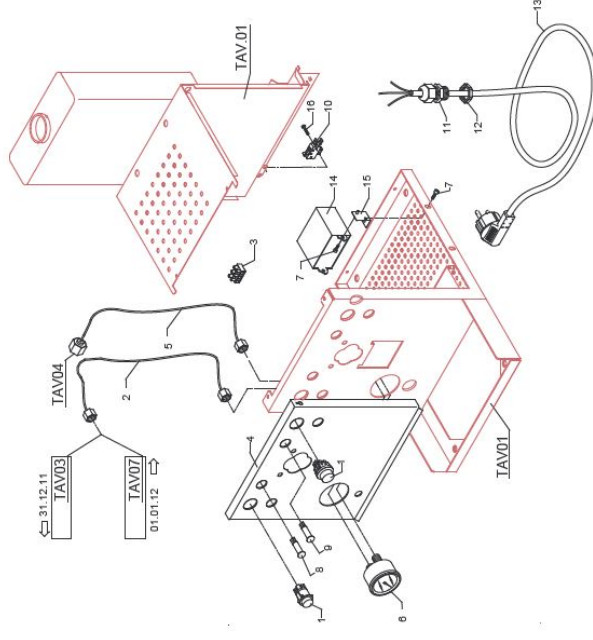
**BEZZERA**  
TABLE 6 - (from 03/06/2021 )  
BZ10



**BEZZERA**  
TABLE 6 - (up to 30/11/2015)  
BZ10

POS	CODE	DESCRIPTION
1	7633331	BIPOLAR SWITCH
2	7400902	BOYLE-MANOMETER CAPILLARY
3	7612511	CLAMP 3 CONTACTS
4	5074448SG	GROUP FRONTAL
5	7400901	PRESSURE GAUGE CAPILLARY
6	7432524	PRESSURE GAUGE D60 DOUBLE SCALE
7	7626402	SCREW TE M4X1.6 UNI 5739 OT
8	7633622	GREEN LAMP 110/240V
9	7633621	ORANGE LAMP 110/240V
10	7633907	MICROSWITCH
11	7614007	CABLE-PRESS PG13,5
12	7614006	NUT PG13,5
13	7555001	CABLE WITH SCHUKO PLUG
13	7551001	CABLE WITH USA PLUG 125V 15A
13	7551003	CABLE WITH USA PLUG 250V 20A
13	7552001	CABLE WITH AUSTRALIAN PLUG
13	7555003	CABLE WITH SWITZERLAND PLUG
13	7554001	CABLE WITH ENGLISH PLUG
14	7661039PR	LEVEL REGULATOR 1S 110V
14	7661044PR	LEVEL REGULATOR 1S 220/240V
15	5056433LL	LEVEL REGULATOR SUPPORT
16	7619911	SCREW TTEI M4X25

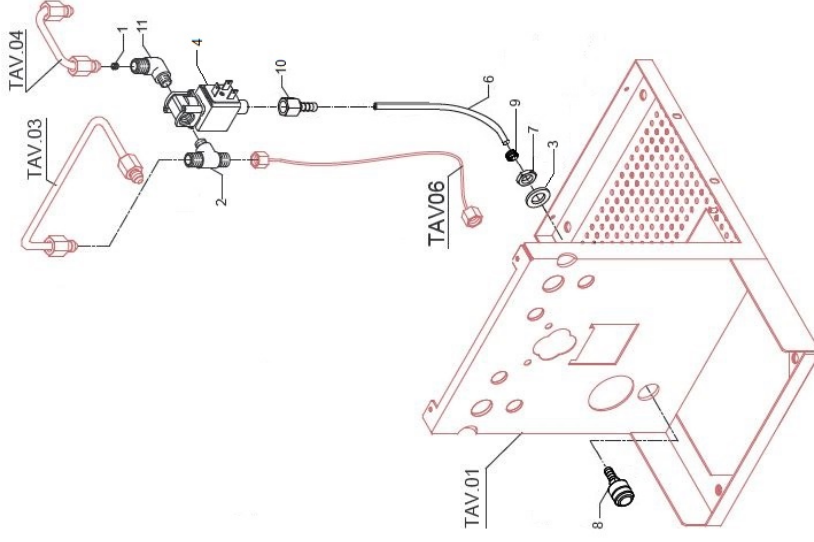
**BEZZERA**  
TABLE 6 - (up to 30/11/2015)  
BZ10



**BEZZERA**  
TABLE 7 - (from 13/12/2019)  
BZ10

POS	CODE	DESCRIPTION
1	5223005TP	JET M6 X 6 HOLE D1.2 OT
2	5300513TR	UNION
3	7815001	WASHER D10 UNI 6592 A2
4	7702416R	SOLENOID VALVE 3 WAY SIRAI 110/120V 50/60HZ
4	7702417R	EV.3 WAYS SIRAI 208/240V 50/60HZ(R)
6	5194564	SILICON PIPE 8X5X90
7	5221844	NUT 1/8
8	5283061	DRAIN FITTING 1/8
9	7611512	CLAMP
10	5370313	GROUP E VALVE DRAIN RUBBER HOLDER
11	5301504AL	ELBOW FITTING M12X1/8

**BEZZERA**  
TABLE 7 - (from 13/12/2019)  
BZ10

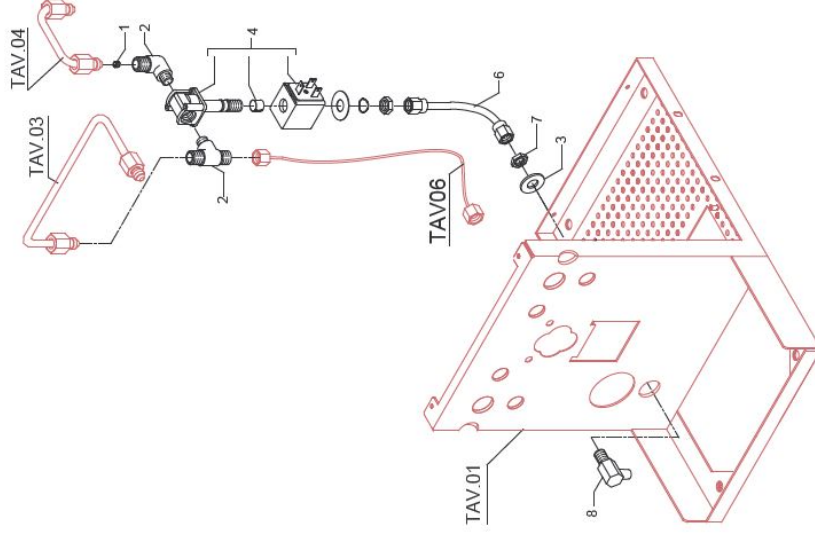




**BEZZERA** **BZ10**  
 TABLE 7 - (from 01/01/2012 up to 01/04/2013)  
 BZ10

POS	CODE	DESCRIPTION
1	5223005TP	JET M6 X 6 HOLE D1.2 OT
2	5300513TR	UNION
3	7815001	WASHER D10 UNI 6592 A2
4	7702316	SOLENOID VALVE 3 WAY 230V ODE
4	7702411	SOLENOID VALVE 3 WAY 240V ODE
4	7701117	SOLENOID VALVE 3 WAY 115V ODE
6	5194560LL	SOLENOID VALVE DRAIN HOSE
7	5221844	NUT 1/8"
8	5283018CM	DRAIN FITTING FOR SUPPRESSION VALVE 1/8"-G CHROMED

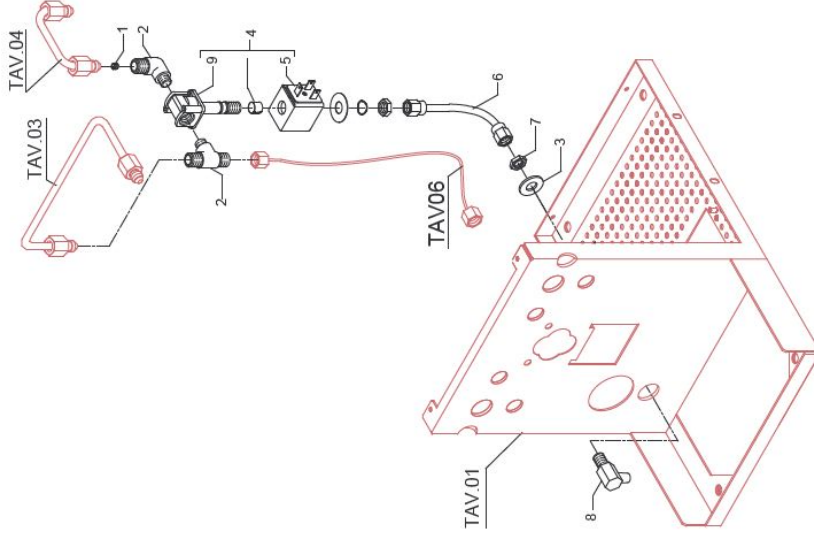
**BEZZERA** **BZ10**  
 TABLE 7 - (from 01/01/2012 up to 01/04/2013)  
 BZ10



**BEZZERA**  
**TABLE 7 - (up to 12/12/2019)**  
**BZ10**

POS	CODE	DESCRIPTION
1	5223005TP	JET M6 X 6 HOLE D1.2 OT
2	5300513TR	UNION
3	7815001	WASHER D10 UNI 6592 A2
4	7701112	SOLENOID VALVE 3 WAY 115V PARKER
4	7702311	SOLENOID VALVE 3 WAY 230V PARKER
4	7702410	SOLENOID VALVE 3 WAY 240V PARKER
5	7630332	SOLENOID VALVE COIL 115V PARKER
5	7630331	SOLENOID VALVE COIL 230V PARKER
5	7630330	SOLENOID VALVE COIL 240V PARKER
6	5194359LL	SUPPRESSION VALVE HOSE
7	5221844	NUT 1/8
8	5283018CM	DRAIN FITTING FOR SURPRESSION VALVE 1/8-G CHROMED
9	7703014	SOLENOID VALVE WITHOUT COIL PARKER

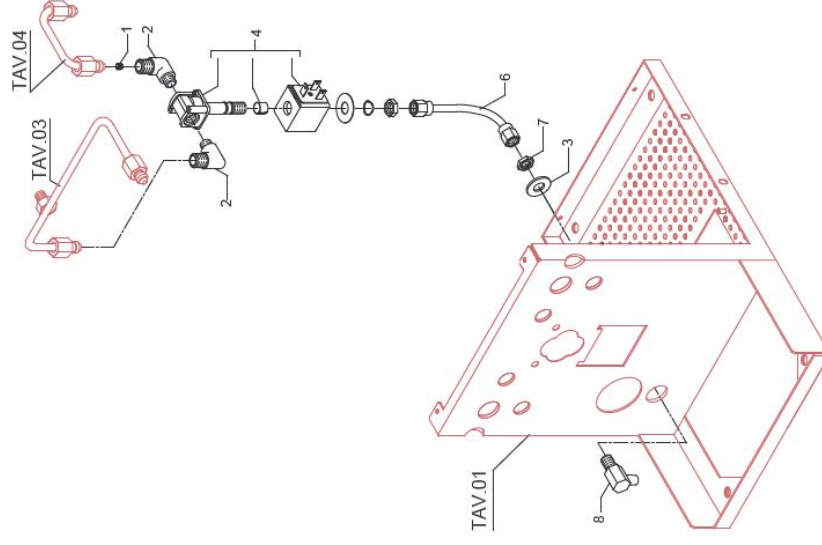
**BEZZERA**  
**TABLE 7 - (up to 12/12/2019)**  
**BZ10**



**BEZZERA**  
**TABLE 7 - (up to 31/12/2011)**  
**BZ10**

POS	CODE	DESCRIPTION
1	5223005TP	JET M6 X 6 HOLE D1.2 OT
2	5301504TR	UNION ELBOW 1/8"
3	7815001	WASHER D10 UNI 6592 A2
4	7702316	SOLENOID VALVE 3 WAY 230V ODE
4	7702411	SOLENOID VALVE 3 WAY 240V ODE
4	7701117	SOLENOID VALVE 3 WAY 115V ODE
6	5194560LL	SOLENOID VALVE DRAIN HOSE
7	5221844	NUT 1/8"
8	5283018CM	DRAIN FITTING FOR SUPPRESSION VALVE 1/8"-G CHROMED

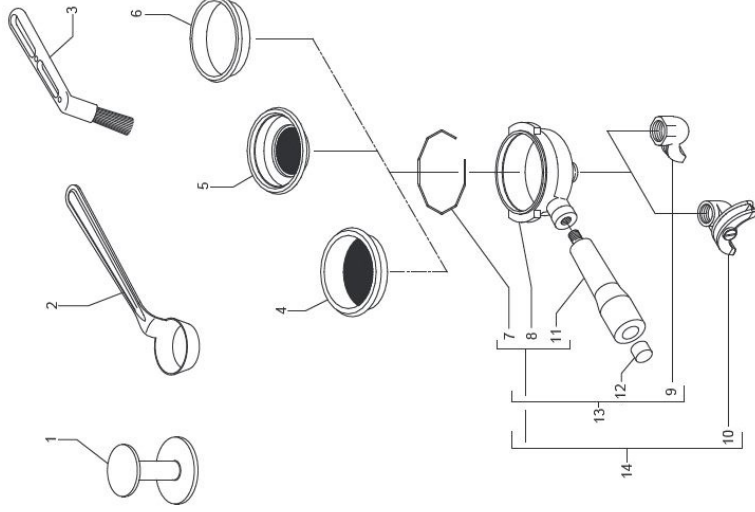
**BEZZERA**  
**TABLE 7 - (up to 31/12/2011)**  
**BZ10**



**BEZZERA**  
TABLE 8 - (up to 14/07/2019)  
BZ10

POS	CODE	DESCRIPTION
1	5373001	COFFEE-PRESS
2	5372101	MEASURER
3	7950603	CLEANING BRUSH
4	5471021.01	FILTER 2 CUPS 12 GRAMS AISI 304 WITH RUN CHANNEL
4	5471035	FILTER 2 CUPS 16 GRAMS AISI 304 WITH RUN CHANNEL
5	5471031.01	FILTER 1 CUP 8 GRAMS WITH RUN CHANNEL
6	5471003	BLIND FILTER
7	5471527	FILTER-HOLDER SPRING D1.2 AISI 302
8	5286016TW	FILTER-HOLDER
9	7288505TW	SPOUT 1 WAY SHORT
10	7288501TW	SPOUT 2 WAY SHORT
11	7371502	KNOB POLISHED
12	5373915CM	KNOB CHROME CAP
13	5965603R	ASSEMBLY FILTER-HOLDER 1 CUP
14	5965604R	ASSEMBLY FILTER-HOLDER 2 CUPS

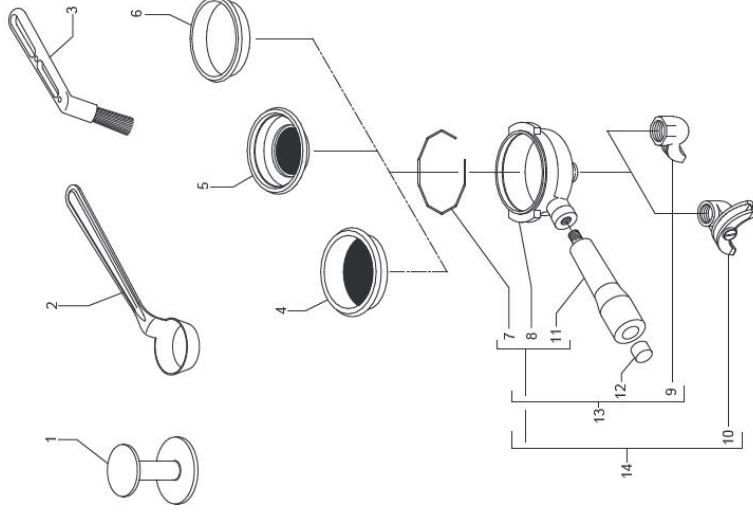
**BEZZERA**  
TABLE 8 - (up to 14/07/2019)  
BZ10



**BEZZERA**  
TABLE 8 - (from 15/07/2019)  
BZ10

POS	CODE	DESCRIPTION
1	5373001	COFFEE-PRESS ABS
2	5372101	BLACK MEASURE
3	7990603	CLEANING BRUSH FOR COFFEE MACHINE
4	5471035	FILTER 2 CUPS 20 GRAMS
5	5471031_01	FILTER 1 CUP 10 GRAMS
6	5471038	BLIND FILTER AIS604
7	5471527	FILTER-HOLDER SPRING D1.2 AISI 302
8	5286016TW	FILTER-HOLDER TILTED HANDLE BZ GROUP
9	7288505TW	SPOUT 1 WAY SHORT
10	7288501TW	SPOUT 2 WAY SHORT
11	7371502	FILTER-HOLDER KNOB
12	5373915CM	FILTER-HOLDER PLUG D16.5
13	5965603.01R	ASSY FILTER-HOLDER INCL.1TZ BZ
14	5965604.01R	FILTER-HOLDER COMPLETE 2 CUPS BZ GROUP WITHOUT LOGO

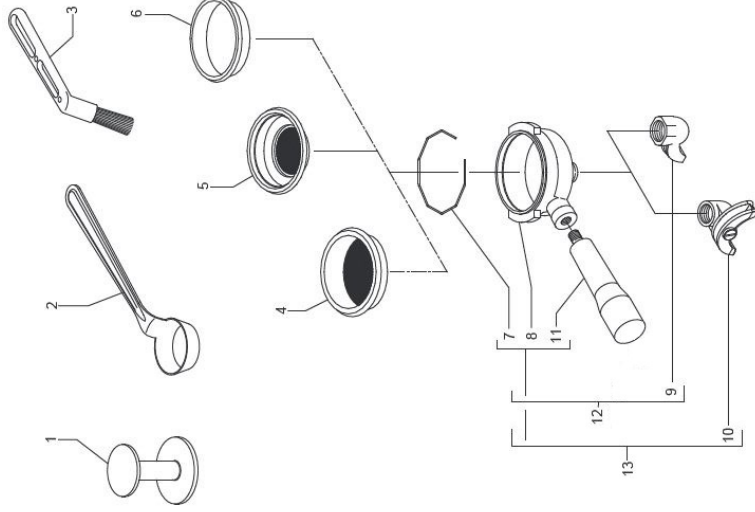
**BEZZERA**  
TABLE 8 - (from 15/07/2019)  
BZ10

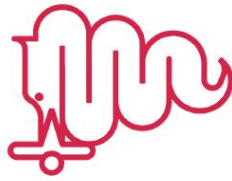


**BEZZERA** **BZ10**  
 TABLE 8A - (from 15/07/2019)  
 BZ10

POS	CODE	DESCRIPTION
1	5373001	COFFEE-PRESS ABS
2	5372101	BLACK MEASURE
3	7990603	CLEANING BRUSH FOR COFFEE MACHINE
4	5471035	FILTER 2 CUPS 20 GRAMS
5	5471031 01	FILTER 1 CUP 10 GRAMS
6	5471038	BLIND FILTER AISI304
7	5471527	FILTER-HOLDER SPRING D1.2 AISI 302
8	5286016TW	FILTERHOLDER TILTED HANDLE BZ GROUP
9	7288505TW	SPOUT 1 WAY SHORT
10	7288501TW	SPOUT 2 WAY SHORT
11	7371520	WOODEN FILTER-HOLDER HANDLE
12	5965648R	ASSY FILTER-HOLDER BZ GROUP 1CUP, SHORT SPOUT, WOODEN
13	5965640R	ASSY FILTER-HOLDER BZ GROUP 2CUPS, SHORT SPOUT, WOODEN

**BEZZERA** **BZ10**  
 TABLE 8A - (from 15/07/2019)  
 BZ10





**BEZZERA**

Dal 1901

G. BEZZERA S.R.L.  
MACCHINE PER CAFFÈ/ESPRESSO  
Via Luigi Bezzera, 1  
20088 Rosate - Milano - Italy  
Tel. ++39 02 90848102 r.a. - Telefax ++39 02 90870287  
Web: [www.bezzera.com](http://www.bezzera.com)  
e-mail: [admin@bezzera.it](mailto:admin@bezzera.it)